

2003 Chevrolet Corvette

2003 GENERAL MOTORS Corvette

2003 GENERAL MOTORS**Corvette****BUZZERS, RELAYS & TIMERS****BUZZERS, RELAYS & TIMERS LOCATION**

Component	Location
A/C CLU Relay	In underhood fuse block. See Fig. 5 .
Air Pump Relay	In underhood fuse block. See Fig. 5 .
ALC HDLP Relay	In instrument panel fuse block. See Fig. 5 .
ALC PRK LP Relay	In instrument panel fuse block. See Fig. 5 .
Back-Up LP Relay	In underhood fuse block. See Fig. 5 .
Blower Motor Relay	On multi-use relay & fuse bracket, above BCM.
BOSE Relay	In instrument panel fuse block. See Fig. 5 .
Cooling Fan 1 Relay	In underhood fuse block. See Fig. 5 .
Cooling Fan 2 Relay	In underhood fuse block. See Fig. 5 .
Cooling Fan 3 Relay	In underhood fuse block. See Fig. 5 .
Courtesy Lamp Relay	In instrument panel fuse block. See Fig. 5 .
Daytime Running Lamp Relay (2)	In instrument panel fuse block. See Fig. 5 .
Defogger RR Relay	In instrument panel fuse block. See Fig. 5 .
DRL L Relay	In instrument panel fuse block.
Fog LP Relay	In underhood fuse block. See Fig. 5 .
Fuel Pump Relay	In underhood fuse block. See Fig. 5 .
Hatch/TRK Relay	In instrument panel fuse block. See Fig. 5 .
Horn Relay	In underhood fuse block. See Fig. 5 .
Ignition Relay	In underhood fuse block. See Fig. 5 .
Monitored Micro Relay	In instrument panel fuse block. See Fig. 5 .
Power Top Up/Down Relay	Behind left rear seat, near rear of luggage compartment.
RTD Relay	In underhood fuse block. See Fig. 5 .
Steering Column Lock Relay	In right footwell, mounted to toe board.
Theft Deterrent Relay	In right footwell, above BCM.
TONN REL Relay	In instrument panel fuse block. See Fig. 5 .

CIRCUIT PROTECTION DEVICES**CIRCUIT PROTECTION DEVICES LOCATION**

Component	Location

2003 Chevrolet Corvette

2003 GENERAL MOTORS Corvette

Instrument Panel Fuse Block	In right front footwell, mounted to toe board. See Fig. 5 .
LH Relay Center	Under center of left seat.
RH Relay Center	Under center of right seat. See Fig. 5 .
Underhood Fuse Block	On right side of engine compartment. See Fig. 5 .

CONTROL UNITS

CONTROL UNITS LOCATION

Component	Location
Blower Motor Control Processor	Behind right side of dash. See Fig. 5 .
Body Control Module	Mounted on toe board, in right footwell.
BOSE Signal Processor	Under left side of dash, above accelerator pedal.
Driver Door Module	In lower center of respective door.
Driver Seat Control Module	On underside of driver's seat. See Fig. 5 .
Electronic Brake Control Module	At left front side of engine compartment, on frame rail.
Electronic Suspension Control (ESC) Module	In rear compartment, inside left storage compartment. See Fig. 5 .
Headlamp Door Control Module	In lower right front of engine compartment. See Fig. 5 .
HVAC Control Module	Center of dash, under radio.
Ignition Coil Module (8)	On valve covers, at top of respective cylinders. See Fig. 3 .
Inflatable Restraint Instrument Panel Module	At right side of dash.
Inflatable Restraint Sensing & Diagnostic Module	Below center of dash, under HVAC control head. See Fig. 5 .
Passenger Door Module	Bottom center of door, rear of speaker.
Powertrain Control Module (PCM)	Behind right front fender, between wheelhouse & dash panel. See Fig. 5 .
Radio Antenna Module (Coupe)	Behind lower "B" pillar trim panel.
Remote Control Door Lock Receiver	On left side of rear compartment.
Throttle Actuator Control Module	On PCM, below battery.
Vacuum Control Assembly	On right side of HVAC unit, right of blower motor.

MOTORS

MOTORS LOCATION

--	--

2003 Chevrolet Corvette

2003 GENERAL MOTORS Corvette

Component	Location
Blower Motor	Under right side of dash.
Door Lock Actuator (2)	In respective door.
Electric Actuator (Left/Right)	On respective side of HVAC module.
Engine Cooling Fan Motor (Left)	Behind left side of radiator.
Engine Cooling Fan Motor (Right)	Behind right side of radiator.
Folding Top Actuator	Part of folding top lid latch.
Fuel Filler Door Release Actuator	On left side of cargo compartment, above fuel filler door.
Fuel Pump & Sender Assembly	In left fuel tank.
Headlamp Opening Door Assembly (2)	Behind respective headlamp assembly.
Magnasteer Actuator	On left side of steering gear.
Power Seat Motor (3)	Under each seat.
Power Top Pump Motor	Behind left rear seat, near rear of luggage compartment.
Power Window Motor (2)	In lower section of each door.
Radio Power Antenna (Convertible)	Behind right rear inner quarterpanel trim.
Rear Compartment Lid Latch Actuator (Convertible/Hardtop)	On center rear of rear compartment, on latch.
Rear Compartment Lid Latch Actuator (Coupe) (Left)	On left rear of rear compartment, on latch.
Rear Compartment Lid Latch Actuator (Coupe) (Right)	On right rear of rear compartment, on latch.
Secondary Air Injection (AIR) Pump Motor	On left front of engine compartment, on skid bar.
Telescoping Drive Motor	On lower right side of steering column.
Temperature Door Motor	On left side of HVAC module.
Throttle Actuator Control (TAC) Motor	On left side of throttle body. See Fig. 3 .
Variable Effort Steering Actuator	On left side of steering rack assembly.
Windshield Washer Fluid Pump Motor	On left rear of engine compartment, in washer fluid reservoir.
Windshield Wiper Motor	On left side of firewall.

SENDING UNITS & SENSORS

SENDING UNITS & SENSORS LOCATION

Component	Location
A/C Refrigerant Pressure Sensor	On A/C high pressure line.
Accelerator Pedal Position Sensor	On top of accelerator pedal, part of mounting bracket.

2003 Chevrolet Corvette

2003 GENERAL MOTORS Corvette

Air Temperature Sensor (Inside)	Right of steering column, in air outlet vent.
Ambient Air Temperature Sensor	On radiator support, at right front of engine.
Ambient Light Sensor	On top left side of dash, under defroster grille.
Automatic Transmission Fluid Temperature Sensor	On side of transmission.
Brake Pressure Sensor	On left side of brake pressure modulator valve.
Camshaft Position (CMP) Sensor	On top center rear of engine. See Fig. 2 .
Crankshaft Position Sensor	On lower right side of engine, behind starter.
Electronic Suspension Position Sensor (4)	On right side of respective shock absorber.
Engine Coolant Temperature (ECT) Sensor	On left side of engine, below generator. See Fig. 3 .
Engine Oil Level Sensor	On right side of oil pan.
Engine Oil Pressure (EOP) Sensor	On top center rear of engine. See Fig. 2 .
Engine Oil Temperature (EOT) Sensor	On bottom left rear of engine. See Fig. 1 .
Fuel Level Sensor (Right)	In right fuel tank.
Fuel Tank Pressure Sensor	In right fuel tank.
Heated Oxygen Sensor (HO2S), Front (Left)	On exhaust system, forward of catalytic converter. See Fig. 1 .
Heated Oxygen Sensor (HO2S), Front (Right)	On exhaust system, forward of catalytic converter.
Heated Oxygen Sensors (HO2S), Rear (2)	On exhaust system, rear of catalytic converters.
Inside Air Temperature Sensor	In air outlet, right of steering column.
Intake Air Temperature (IAT) Sensor	Integral to mass airflow sensor.
Knock Sensor 1	On center of engine, below intake manifold.
Knock Sensor 2	On center of engine, below intake manifold.
Lateral Accelerometer	Under right seat.
Manifold Absolute Pressure (MAP) Sensor	On top rear of intake manifold. See Fig. 2 .
Mass Airflow (MAF) Sensor	On air intake assembly. See Fig. 4 .
Starter Solenoid	On top of starter.
Steering Wheel Position Sensor	At base of steering column.
Sunload Sensor	On top of dash, right side of defroster grille.
Suspension Position Sensor (4)	In respective wheelwell, on suspension control arm.
Telescoping Sensor	On lower right side of steering column.
Throttle Position (TP) Sensor	On right side of throttle body assembly. See Fig. 3 .

2003 Chevrolet Corvette

2003 GENERAL MOTORS Corvette

Tire Pressure Monitor Sensor (4)	Inside each respective wheel, part of valve stem.
Transmission Fluid Temperature Sensor	Inside transmission.
Vehicle Speed Sensor	On right side of differential.
Wheel Speed Sensors (4)	Part of front wheel hub & rear wheel suspension knuckle.
Yaw Rate Sensor	Under HVAC control head.

SOLENOIDS & SOLENOID VALVES**SOLENOIDS & SOLENOID VALVES LOCATION**

Component	Location
A/T Shift Lock Control Solenoid	Under center console, part of shifter.
Brake Pressure Modulator Valve	Left side of engine compartment, near power steering pump.
Evaporative Emission (EVAP) Canister Purge Valve	On top left side of engine, on intake manifold. See Fig. 3 .
Evaporative Emission Vent Valve Solenoid	Inside right rear wheelhouse panel.
Fuel Door Lock Actuator	On left side of rear compartment, near fuel tank filler door.
Pressure Control Solenoid Valve	Inside transmission.
Rear Compartment Lid Latch Actuator (Convertible/Hardtop)	On center rear of rear compartment, on latch.
Rear Compartment Lid Latch Actuator (Coupe) (Left)	On left rear of rear compartment, on latch.
Rear Compartment Lid Latch Actuator (Coupe) (Right)	On right rear of rear compartment, on latch.
Reverse Inhibit Solenoid	On top left of transmission.
Secondary Air Injection (AIR) Solenoid	Above PCM, between wheelhouse & firewall.
Shock Absorber Solenoid (4)	On bottom of respective shock absorber.
Skip Shift Solenoid (M/T)	Under vehicle, on left side of transmission.
Torque Converter Clutch Pulse Width Modulation Valve Solenoid	Inside transmission.
Torque Converter Clutch Valve Solenoid	Inside transmission.
Valve 1-2 Shift Solenoid (1-2 SS)	Inside transmission.
Valve 2-3 Shift Solenoid (2-3 SS)	Inside transmission.

2003 Chevrolet Corvette

2003 GENERAL MOTORS Corvette

Valve 3-2 Shift Solenoid (3-2 SS)

Inside transmission.

SWITCHES**SWITCHES LOCATION**

Component	Location
A/T Shift Lock Control Switch	Mounted on bracket, in front of brake pedal.
Automatic Transmission Fluid Pressure Manual Valve Position Switch	Inside transmission.
Back-Up Lamp Switch	On right side of manual transmission.
Brake Fluid Level Switch	In master cylinder reservoir.
Clutch Pedal Position Switch	On top of clutch pedal bracket.
Engine Oil Level Switch	Right side of oil pan.
Folding Top Ajar Indicator Switch	Integral to folding top lid latch.
Folding Top Release Switch	Under right side of storage compartment lid.
Park Brake Switch	On parking brake lever.
Park/Neutral Position Switch	On left side of transmission.
Rear Compartment Lid Ajar Switch	On left rear compartment lid latch.
Seat Belt Switch	In driver's seat belt buckle assembly.
Stoplight Switch	On top of brake pedal support.
Windshield Washer Fluid Level Switch	Inside solvent container.

MISCELLANEOUS**MISCELLANEOUS LOCATION**

Component	Location
A/C Compressor Clutch Diode	In forward lamp harness, near A/C clutch connector.
Antenna Buffer	Bottom center of rear roof bow.
Compact Disc Player	In rear compartment, in center storage compartment.
Data Link Connector	Under dash, below steering column.
Fuel Injector (8)	On top of intake manifold, at respective intake port.
Inflatable Restraint I/P Module	Front center console compartment.

2003 Chevrolet Corvette

2003 GENERAL MOTORS Corvette

Radio Power Antenna (Convertible)	Behind right rear quarter inner trim panel.
Star Connector (2)	In dash harness, near left side of BCM.
Variable Effort Steering Actuator	Inside of steering gear.

CONNECTORS**CONNECTORS LOCATION**

Component	Location
C100 (Black, 8 Pin)	At right skid bar, in front of horn.
C102 (Black, 16 Pin)	At right rear of engine compartment.
C105 (Gray, 2 Pin)	On engine, above left lower control arm.
C108 (Gray, 2 Pin)	On engine, above right lower control arm.
C109 (Gray, 8 Pin)	At top center of left valve cover. See Fig. 3 .
C110 (Gray, 8 Pin)	At top center of right valve cover. See Fig. 3 .
C112 (Black, 2 Pin)	At top rear of engine, mounted to vacuum hose. See Fig. 2 .
C113 (Black, 2 Pin)	At right side of lower radiator support.
C140 (Black, 10 Pin)	At right side of engine compartment, below battery.
C142 (Gray, 20 Pin)	At right rear of engine compartment, below battery.
C144 (Gray, 20 Pin)	At right rear of engine compartment, below battery.
C146 (Black, 10 Pin)	At right rear of engine compartment, below battery.
C148 (Black, 10 Pin)	At right rear of engine compartment, below battery.
C150 (Gray, 20 Pin)	At right rear of engine compartment, below battery.
C152 (Black, 3 Pin)	At left side of engine compartment, on left wheelwell.
C200 (Black, 6 Pin)	In grommet, on right door.
C201 (Black, 6 Pin)	In grommet, on left door.
C202 (Blue, 10 Pin)	In grommet, on right door.
C203 (Blue, 10 Pin)	In grommet, on left door.
C204 (Black, 4 Pin)	At right of instrument panel fuse block, mounted to toe board, behind carpet.
C206 (Black, 3 Pin)	Above body control module, taped to harness.
C207 (Black, 4 Pin)	On lower dash bar, for steering column lock.
C208 (Black, 3 Pin)	At left side of steering column, on dash lower beam.
C209 (Black, 23 Pin)	On lower dash bar, headlight & turn signal switches.
C210 (Black, 2 Pin)	At left side of steering column, on lower dash beam.

2003 Chevrolet Corvette

2003 GENERAL MOTORS Corvette

C211 (Yellow, 2 Pin)	At left side of steering column, on lower dash bar.
C212 (Black, 3 Pin)	At left side of steering column, on lower dash beam.
C213 (Yellow, 2 Pin)	Taped to dash harness, near BOSE signal processor.
C215 (Natural, 10 Pin)	Behind hazard warning switch.
C217 (Black, 4 Pin)	At left side of steering column, on lower dash bar.
C219 (Black, 6 Pin)	At left side of steering column, on lower dash beam.
C220 (Black, 8 Pin)	Between dash harness & vanity mirror jumper.
C301 (Black, 6 Pin)	Under left seat.
C302 (Black, 6 Pin)	Under right seat.
C303 (Blue, 8 Pin)	Under left seat.
C400 (Black, 8 Pin)	At rear of right control arm.
C402 (Black, 10 Pin)	Between transmission harness & fuel tank jumper harness.
C403 (Black, 2 Pin)	On frame, below left shock absorber.
C406 (Black, 2 Pin)	On frame, below right shock absorber.
C409 (Black, 3 Pin)	In right rear wheelwell, behind access panel.
C412 (Black, 4 Pin)	Between left & right fuel tanks.
C414 (Black, 6 Pin)	Between left & right fuel tanks.

GROUNDS**GROUNDS LOCATION**

Component	Location
G101	On left frame rail, near brake pressure modulator valve.
G102	On top of right frame rail, behind right headlight.
G103	On left frame rail, near brake pressure modulator valve.
G104	On right frame rail, below battery tray.
G105	On left rear side of engine. See Fig. 1 .
G106	On right side of engine, above starter.
G107	At top left rear of engine. See Fig. 2 .
G108	On frame rail, below battery tray.
G201	At base of left "A" pillar.
G202	At base of right "A" pillar.
G205	Behind left seat at antenna module.

2003 Chevrolet Corvette

2003 GENERAL MOTORS Corvette

G301	Behind left seat at antenna module.
G302	At right "B" pillar.
G401 (W/Continuously Variable Chassis)	At rear of vehicle, on inner side of left frame rail.
G401 (W/O Continuously Variable Chassis)	At rear of vehicle, on inner side of left frame rail.
G402	At rear of vehicle, on inner side of right frame rail.

SPLICES**SPLICES LOCATION**

Component	Location
SP100	In forward light harness, at breakout to right headlight door opening connector.
SP101	In forward light harness, near brake pressure modulator valve.
SP102	Taped to forward light jumper, 10 cm left of C100.
SP122	In engine harness, 30 cm from breakout to starter solenoid.
SP201	In dash harness.
SP202	In dash harness.
SP203	In dash harness.
SP208	In dash harness, on right side of dash.
SP302	In front body harness, 83.5 cm from right power seat breakout.
SP400	In rear body harness, taped back to harness, between backup light & tail/stop light breakout.
SP402	In rear body harness, taped back to harness, between auto fuse & right license light breakout.
S100	In right ignition control module jumper, 6 cm from breakout to C110.
S101	In left ignition control module jumper, 6 cm from breakout to C109.
S102	In right ignition control module jumper, 5 cm from breakout to C110.
S103	In left ignition control module jumper, 5 cm from breakout to C109.
S104	In right ignition control module jumper, 4 cm from breakout to ignition coil/module No. 4.
S105	In left ignition control module jumper, 4 cm from breakout to ignition coil/module No. 5.
S106	In forward light harness, 12.5 cm from breakout to EBCM connector.
S107	In forward light harness, 20 cm from breakout to EBCM connector.
S108	In forward light harness, 6 cm from breakout to EBCM connector.
S109	In forward light harness, 10 cm from breakout to A/C compressor clutch connector.

2003 Chevrolet Corvette

2003 GENERAL MOTORS Corvette

S120	In engine harness, 15 cm from main harness, in branch leading to powertrain control module connectors.
S200	In dash harness, 22.5 cm from inside rear view mirror breakout.
S201	In dash harness, 35 cm from HVAC control head.
S202	In dash harness, 39.5 from inside rear view mirror breakout.
S203	In dash harness, 6 cm from breakout to BCM.
S204	In engine harness, 6.5 cm from breakout to C150.
S205	In dash harness, 6.5 cm from breakout to data link connector.
S206	In dash harness, 5 cm from breakout to blower motor control module connector.
S208	In dash harness, 32.5 cm from radio connectors.
S210	In dash harness, 10 cm from breakout to blower motor control module.
S212	In dash harness, 22.5 cm from electronic accessory plug connector.
S213	In dash harness, 7.5 cm right of brake switch connector breakout.
S215	In dash harness, 6.5 cm left of inflatable restraint dash breakout.
S300-IDC	In left power seat harness, 4 cm from breakout to right seat relay center connection.
S301-IDC	In left power seat harness, 2.5 cm from breakout for C301.
S302	In front body harness, 12 cm from right speaker breakout.
S303	In front body harness, 15 cm from right speaker breakout.
S304	In front body harness, 22.5 cm from right rear speaker breakout.
S308	In dash harness, 19 cm from yaw rate sensor connector.
S310	In dash harness, 11 cm from yaw rate sensor connector.
S312	In front body harness, 20 cm from SP302 breakout.
S314	In front body harness, 20 cm from SP302 breakout.
S391	In left power seat harness, under seat base.
S392	In left power seat harness, under seat base.
S400	In transmission harness, 6.5 cm from C402 breakout.
S402	In transmission harness, 55 cm from right rear shock absorber breakout.
S408	In fuel tank jumper harness, 6.5 cm from C402 breakout.
S410	In fuel tank jumper harness, 81.5 cm from C408 breakout.
S412	In right fuel tank harness, 22.5 cm from breakout to C414.
S481	In rear body harness, 6.5 cm from breakout to left back-up light.
S482	In rear body harness, 21.5 cm from SP400 breakout.
S484	In rear body harness, 8 cm from SP400 breakout.
S501-IDC	In left door harness, 6 cm from outside rear view mirror connector breakout.
S600-IDC	In right door harness, 6 cm from outside rear view mirror breakout.

COMPONENT LOCATION GRAPHICS

NOTE: Figures may show multiple component locations. Refer to appropriate table for proper figure references.

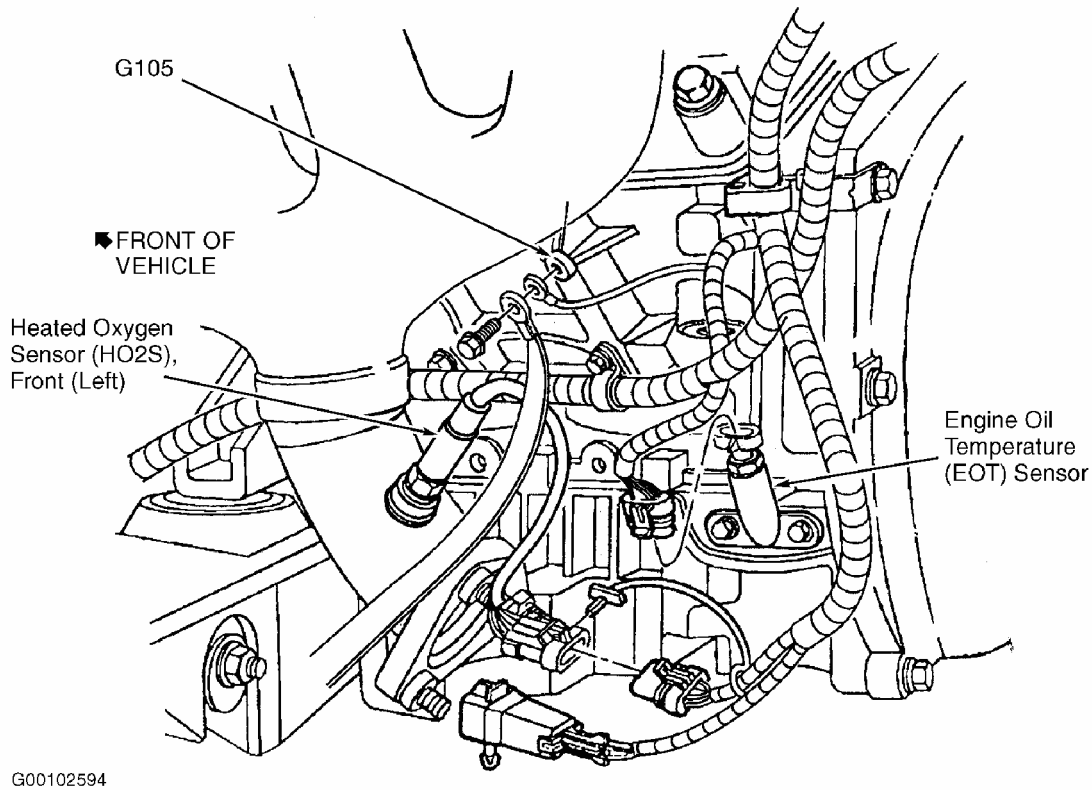
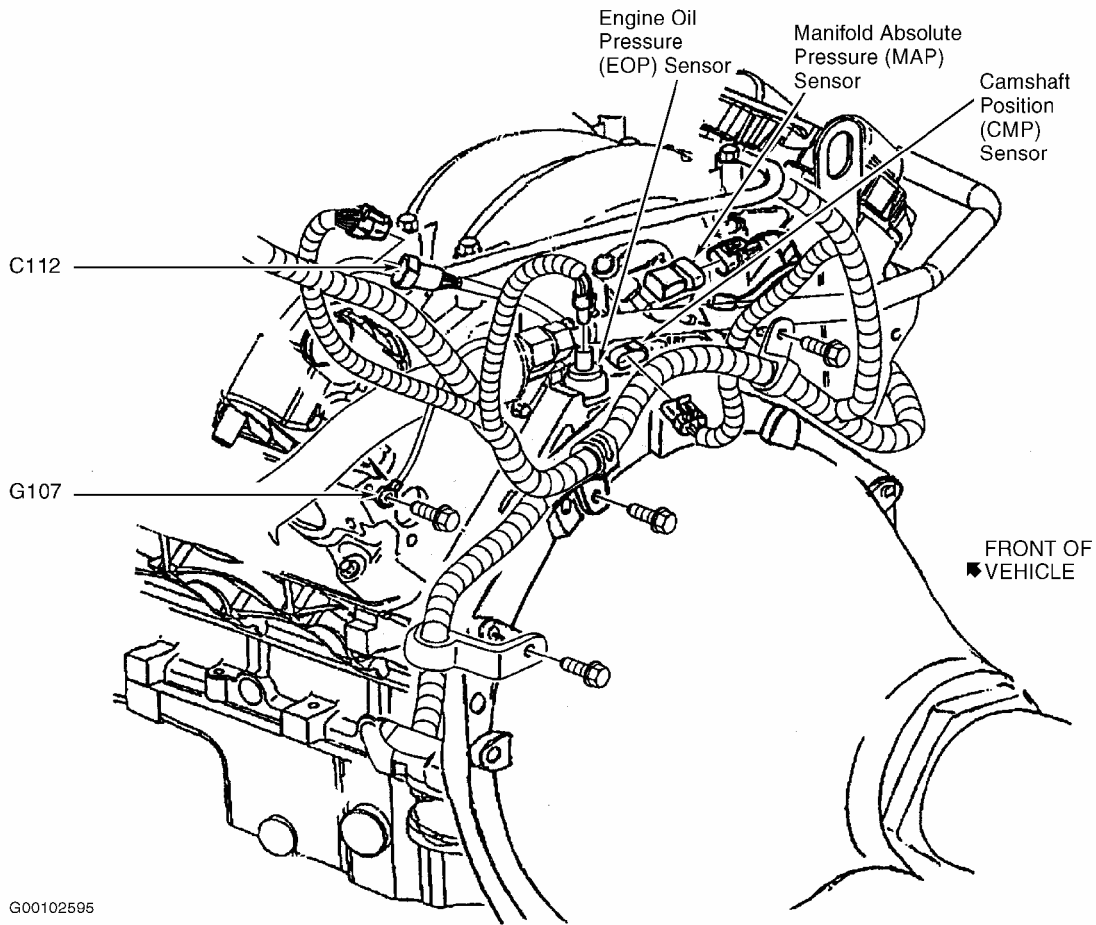


Fig. 1: Left Rear Of Engine
Courtesy of GENERAL MOTORS CORP.

2003 Chevrolet Corvette

2003 GENERAL MOTORS Corvette

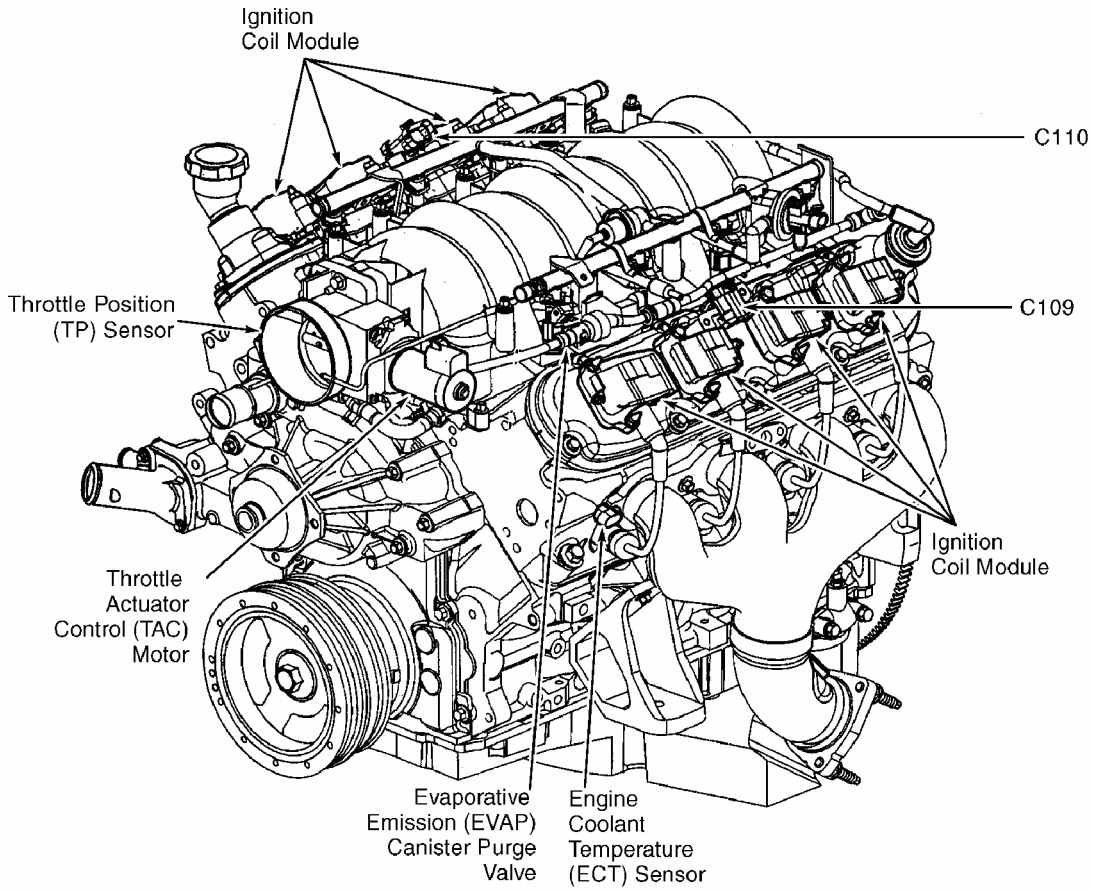


G00102595

Fig. 2: Left Rear Of Engine
Courtesy of GENERAL MOTORS CORP.

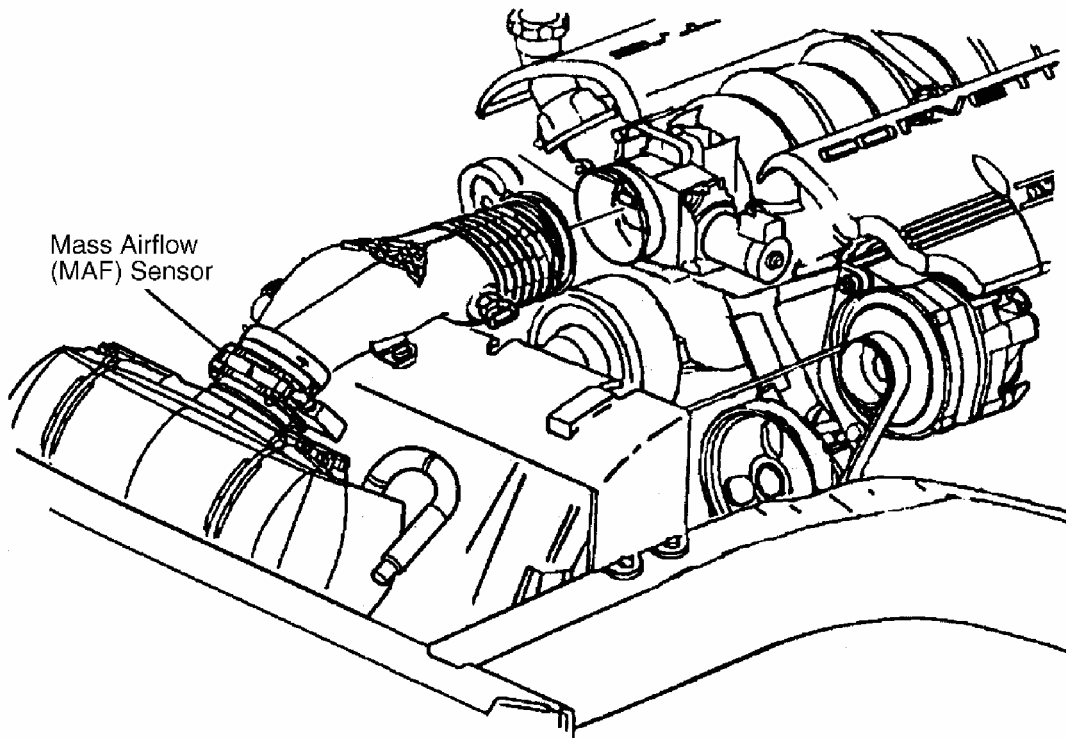
2003 Chevrolet Corvette

2003 GENERAL MOTORS Corvette



G00102596

Fig. 3: Left Front Of Engine
Courtesy of GENERAL MOTORS CORP.

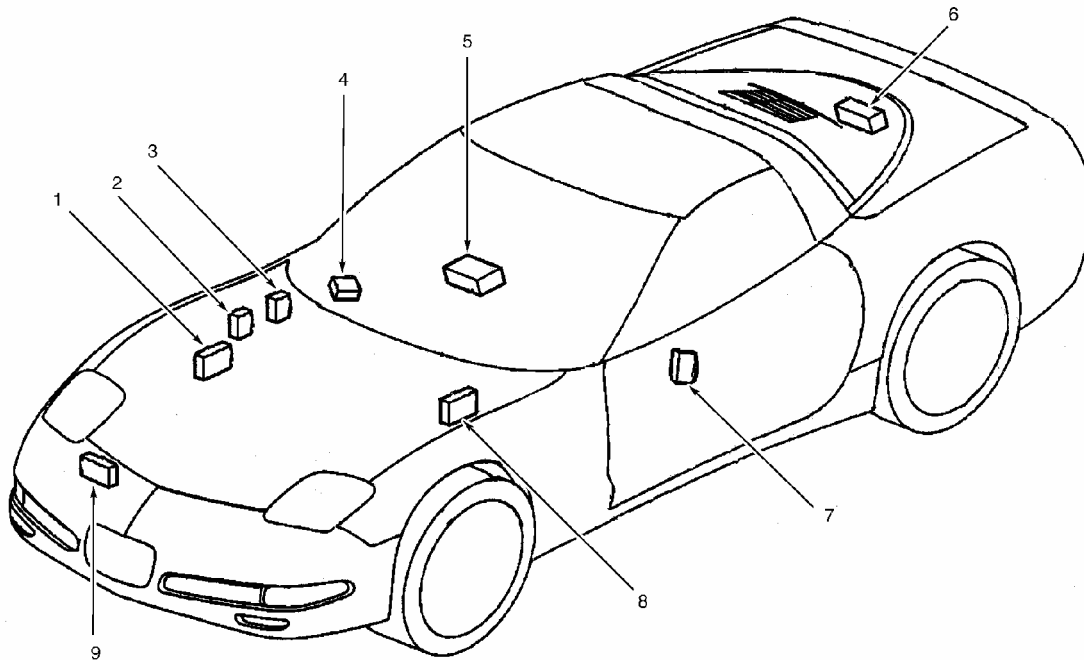


G00150747

Fig. 4: Front Of Engine Compartment
Courtesy of GENERAL MOTORS CORP.

2003 Chevrolet Corvette

2003 GENERAL MOTORS Corvette



1. Underhood Fuse Block
(A/C CLU Relay, Air Pump
Relay, Back-Up LP Relay,
Cooling Fan 1 Relay,
Cooling Fan 2 Relay,
Cooling Fan 3 Relay,
Fog LP Relay, Fuel
Pump Relay, Horn Relay,
Ignition Relay, RTD Relay)

2. Powertrain Control Module (PCM)
3. Blower Motor Control Processor
4. Instrument Panel Fuse Block
(ALC HDLP Relay, ALC PRK LP
Relay, Bose Relay, Courtesy Lamp
Relay, Daytime Running Lamp Relay
(2), Defogger RR Relay, Hatch/TRK
Relay, Monitored Micro Relay, TONN
REL Relay)

5. RH Relay Center
6. Electronic Suspension Control
(ESC) Module
7. Driver Seat Control Module
8. Inflatable Restraint Sensing &
Diagnostic Module
9. Headlamp Door Control Module

G00150803

Fig. 5: Vehicle Overview
Courtesy of GENERAL MOTORS CORP.