

2002 Chevrolet Corvette

2001-02 ELECTRICAL Fuses & Circuit Breakers - Corvette

2001-02 ELECTRICAL

Fuses & Circuit Breakers - Corvette

IDENTIFICATION

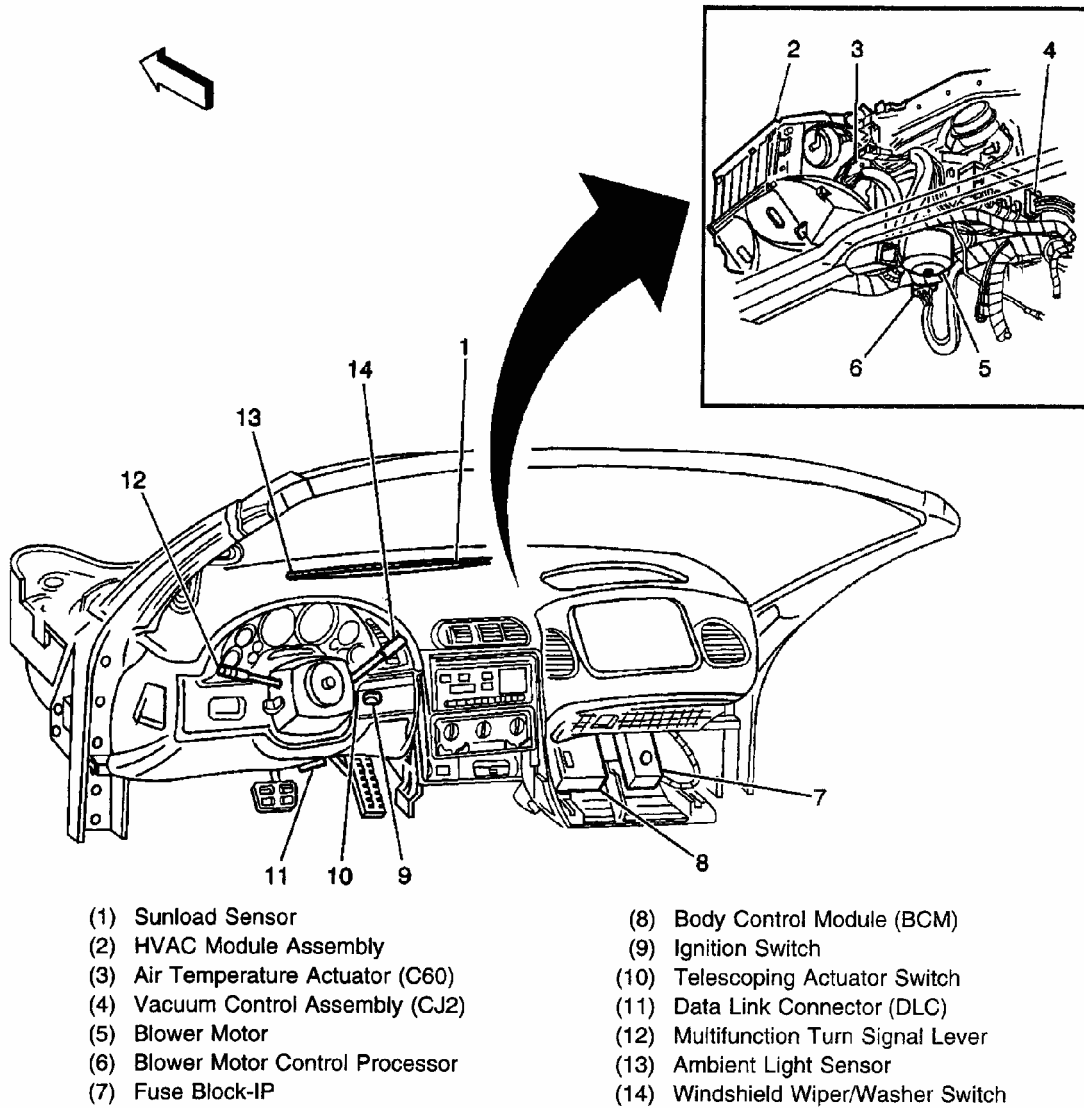
CAUTION: When battery is disconnected, vehicle computer and memory systems may lose memory data. Driveability problems may exist until computer systems have completed a relearn cycle. See **COMPUTER RELEARN PROCEDURES** article in **GENERAL INFORMATION** before disconnecting battery.

INSTRUMENT FUSE BLOCK

NOTE: Instrument panel electrical center is located under passenger's side toe board. See Fig. 1 .

2002 Chevrolet Corvette

2001-02 ELECTRICAL Fuses & Circuit Breakers - Corvette

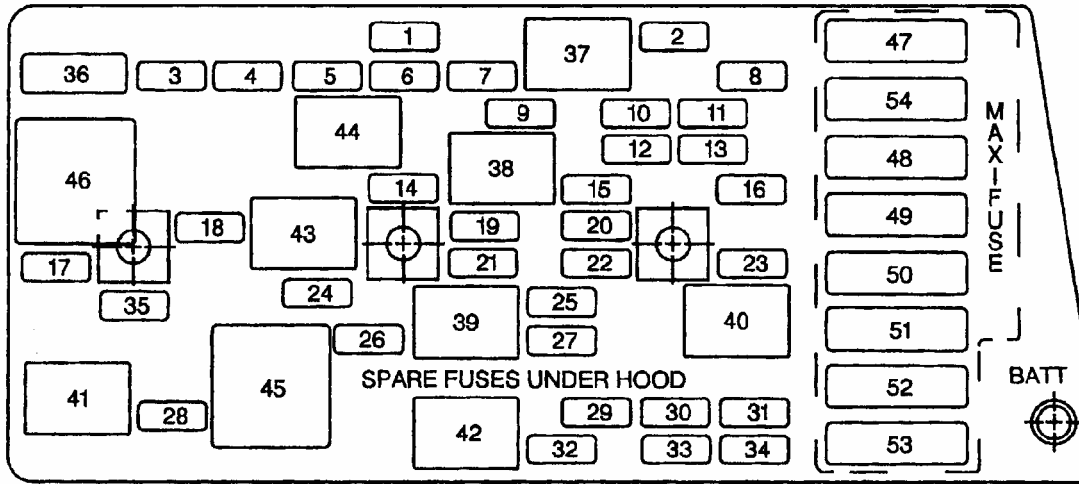


G00016226

Fig. 1: Locating Instrument Fuse Block
Courtesy of GENERAL MOTORS CORP.

2002 Chevrolet Corvette

2001-02 ELECTRICAL Fuses & Circuit Breakers - Corvette



G00100743

Fig. 2: Identifying Instrument Panel Fuse Block
Courtesy of GENERAL MOTORS CORP.

2002 Chevrolet Corvette

2001-02 ELECTRICAL Fuses & Circuit Breakers - Corvette

Minifuse	Usage			
1	Console Cigarette Lighter	31	Power Feed Door Right	
2	Monitored (Inadvertent) Load Control	32	Fuel Tank Door	
3	Lumbar Seat	33	Door Control Module Left	
4	Driver Seat Control Module	34	Power Feed Door Left	
5	Radio, Compact Disc Player	Circuit Breaker	Usage	
6	Parking Lamps, Taillamps	35	Driver Power Seat	
7	Cigarette Lighter	36	Passenger Power Seat	
8	Stoplamp, Hazard Flashers	Micro Relay	Usage	
9	Body Control Module	37	Monitored (Inadvertent) Load Control	
10	Windshield Wiper/Washer	38	Right Daytime Running Lamp	
11	Accessory Power	39	Hatch/Trunk Release	
12	Blank	40	Left Daytime Running Lamp	
13	Body Control Module - Ignition 1	41	Tonneau Release	
14	Crank	42	Courtesy Lamps	
15	Hazard/Turn Signal	43	Automatic Lamp Control Parking Lamps	
16	Air Bag	44	Automatic Lamp Control Headlamps	
17	Tonneau Release	Mini Relay	Usage	
18	HVAC Controls	45	Bose Speakers	
19	Instrument Panel Control	46	Rear Defogger	
20	Cruise Control	Maxifuse	Usage	
21	Automatic Transmission Shift Lock Control System and Inside Rearview Mirror	47	Ignition 1	
22	Body Control Module - Ignition 3	48	Rear Defogger	
23	Body Control Module - Ignition 2	49	Blank	
24	Radio Antenna	50	Ignition 2	
25	Body Control Module - Ignition 1, Instrument Panel Control	51	Blower Motor	
26	Hatch/Trunk Release	52	Starter	
27	HVAC Controls	53	Blank	
28	Bose Speakers	Maxi Circuit Breaker	Usage	
29	Diagnostic	54	Headlamps	
30	Right Door Control Module			

G00100744

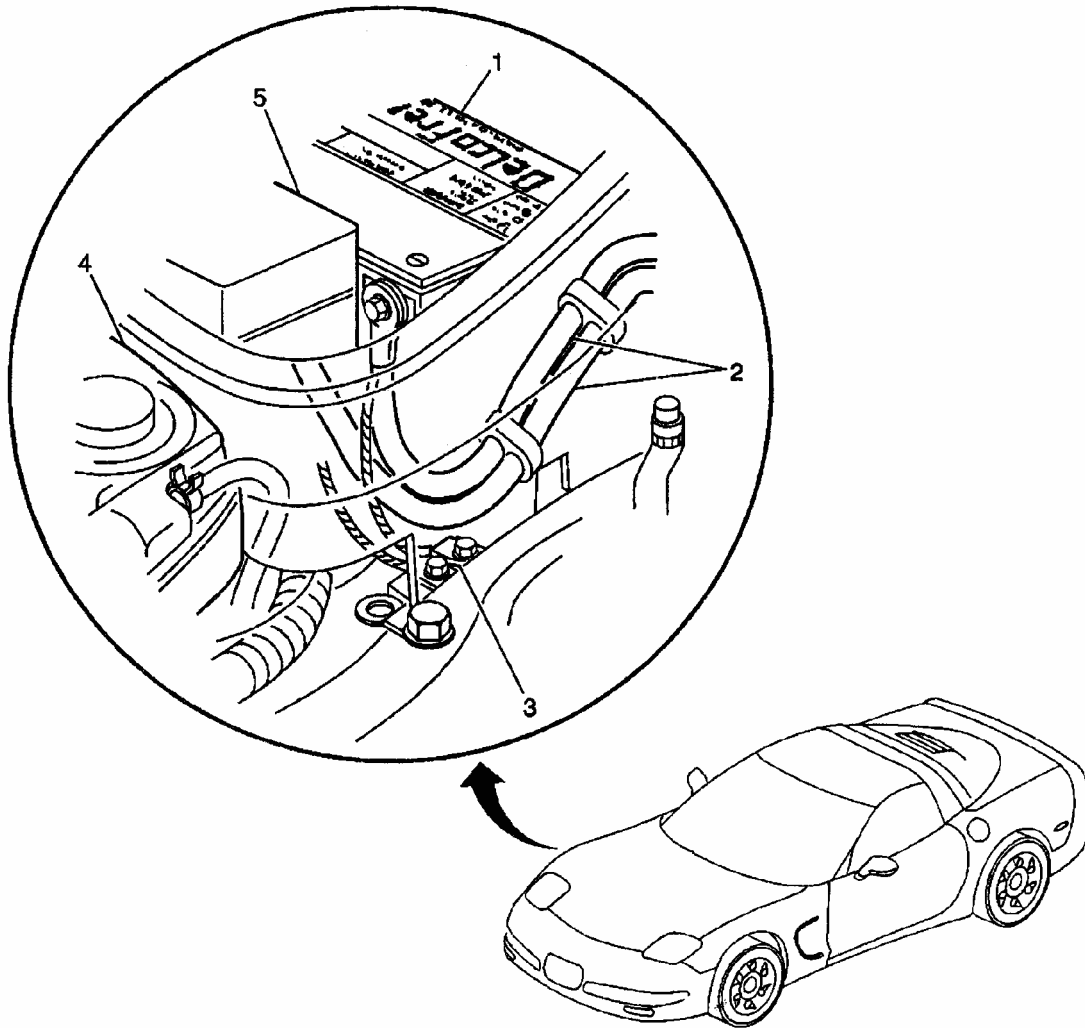
Fig. 3: Instrument Panel Fuse Block Legend
 Courtesy of GENERAL MOTORS CORP.

UNDERHOOD FUSE BLOCK

NOTE: Underhood fuse block is located on passenger's side of engine compartment, next to battery. See Fig. 4 .

2002 Chevrolet Corvette

2001-02 ELECTRICAL Fuses & Circuit Breakers - Corvette



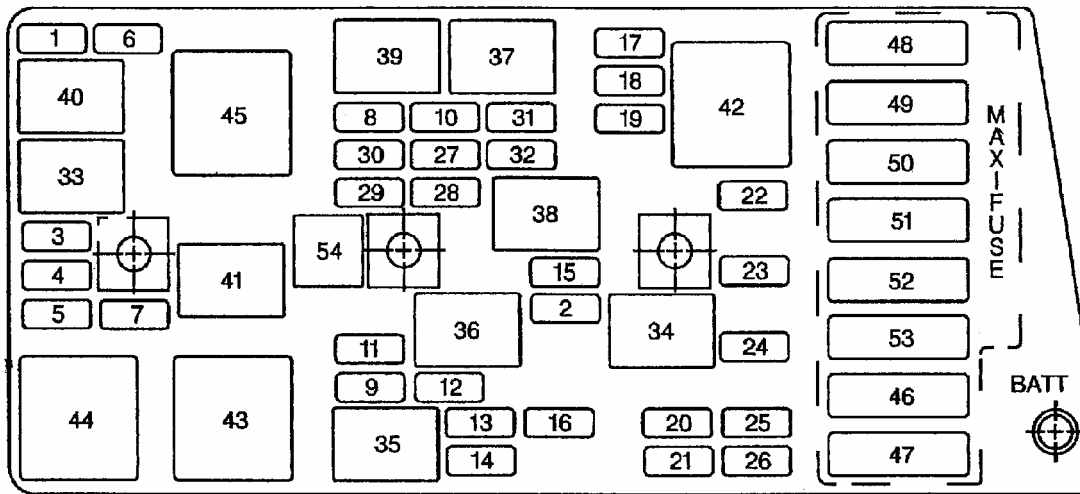
- (1) Battery
- (2) Battery Cables
- (3) G104
- (4) Engine Coolant Reservoir
- (5) Fuse Block-Underhood

G00016227

Fig. 4: Locating Underhood Fuse Block
Courtesy of GENERAL MOTORS CORP.

2002 Chevrolet Corvette

2001-02 ELECTRICAL Fuses & Circuit Breakers - Corvette



G00100746

Fig. 5: Identifying Underhood Fuse Block Components
Courtesy of GENERAL MOTORS CORP.

2002 Chevrolet Corvette

2001-02 ELECTRICAL Fuses & Circuit Breakers - Corvette

Minifuse	Usage		
1	Rear Fog Lamp	30	Spare
2	Approach	31	Spare
3	Right Headlamp Motor	32	Spare
4	Left Headlamp Motor		
5	Anti-Lock Brakes, Selective Real Time Damping (SRTD)	Micro Relay	Usage
6	Fog Lamp	33	Air Pump
7	Selective Real Time Damping (SRTD) Relay	34	Air Conditioner and Clutch
8	Headlamp Low-Beam Right	35	Fuel Pump
9	Headlamp High-Beam Right	36	Horn
10	Headlamp Low-Beam Left	37	Rear Fog Lamp
11	Horn	38	Back-Up Lamps
12	Headlamp High-Beam Left	39	Fog Lamp
13	Fuel Pump	40	Blank
14	Cooling Fan - Ignition 3	41	Selective Real Time Damping (SRTD)
15	Oxygen Sensor	Mini Relay	Usage
16	Powertrain Control Module	42	Ignition 1
17	Throttle Control	43	Cooling Fan 2
18	Injector 2	44	Cooling Fan 3
19	Engine Ignition	45	Cooling Fan 1
20	Blank	Maxi-Fuse	Usage
21	Blank	46	Cooling Fan 2
22	Injector 1	47	Blank
23	Powertrain Control Module	48	Blank
24	Air Conditioning	49	Cooling Fan 1
25	Blank	50	Air Pump
26	Blank	51	Blank
27	Spare	52	Anti-Lock Brakes
28	Spare	53	Selective Real Time Damping (SRTD) Electronics
29	Spare	54	Fuse Puller

G00100747

Fig. 6: Underhood Fuse Block Legend
Courtesy of GENERAL MOTORS CORP.