

2000 Chevrolet Corvette

2000 GENERAL MOTORS Corvette

2000 GENERAL MOTORS**Corvette****BUZZERS, RELAYS & TIMERS****BUZZERS, RELAYS & TIMERS**

Component	Component Location
A/C CLU Relay	In underhood electrical center. See Fig. 5 .
Air Pump Relay	In underhood electrical center. See Fig. 5 .
ALC HDLP Relay	In instrument panel electrical center. See Fig. 5 .
ALC PRK LP Relay	In instrument panel electrical center. See Fig. 5 .
Back-Up LP Relay	In underhood electrical center. See Fig. 5 .
Blower Motor Relay	On multi-use relay & fuse bracket, above BCM.
Bose Relay	In instrument panel electrical center. See Fig. 5 .
Cooling Fan 1 Relay	In underhood electrical center. See Fig. 5 .
Cooling Fan 2 Relay	In underhood electrical center. See Fig. 5 .
Cooling Fan 3 Relay	In underhood electrical center. See Fig. 5 .
Courtesy Lamp Relay	In instrument panel electrical center. See Fig. 5 .
Daytime Running Lamp Relay (2)	In instrument panel electrical center. See Fig. 5 .
Defogger RR Relay	In instrument panel electrical center. See Fig. 5 .
Fog LP Relay	In underhood electrical center. See Fig. 5 .
Fuel Pump Relay	In underhood electrical center. See Fig. 5 .
Hatch/TRK Relay	In instrument panel electrical center. See Fig. 5 .
Horn Relay	In underhood electrical center. See Fig. 5 .
Ignition Relay	In underhood electrical center. See Fig. 5 .
Monitored Micro Relay	In instrument panel electrical center. See Fig. 5 .
RTD Relay	In underhood electrical center. See Fig. 5 .
Steering Column Lock Relay	In right footwell, mounted to toe board.
Theft Deterrent Relay	In right footwell, above BCM.
TONN REL Relay	In instrument panel electrical center. See Fig. 5 .

2000 Chevrolet Corvette

2000 GENERAL MOTORS Corvette

CIRCUIT PROTECTION DEVICES

CIRCUIT PROTECTION DEVICES

Component	Component Location
Instrument Panel Electrical Center	In right front footwell, mounted to toe board. See Fig. 5 .
LH Relay Center	Under center of left seat.
RH Relay Center	Under center of right seat. See Fig. 5 .
Underhood Electrical Center	On right rear of engine compartment. See Fig. 5 .

CONTROL UNITS

CONTROL UNITS

Component	Component Location
Blower Motor Control Module	Behind right side of dash. See Fig. 5 .
Body Control Module (BCM)	Mounted on toe board, in right footwell.
Door Control Module (2)	In lower center of respective door.
Driver Seat Control Module	On underside of driver's seat. See Fig. 5 .
Electronic Brake/Traction Control Module (EBTCM)	At left front side of engine compartment, on frame rail.
Electronic Suspension Control (ESC) Module	In rear compartment, inside rear tub. See Fig. 5 .
Headlamp Opening Door Actuator Control Module	In lower right front of engine compartment. See Fig. 5 .
Ignition Control/Coil Module (8)	On valve covers, at top of respective cylinders. See Fig. 3 .
Inflatable Restraint Sensing & Diagnostic Module	Below center of dash. See Fig. 5 .
Powertrain Control Module (PCM)	On right side of engine compartment. See Fig. 5 .
Radio Antenna Module	Behind lower "B" pillar trim panel.
Remote Control Door Lock Receiver	On left side of rear compartment.
Throttle Actuator Control (TAC) Module	On PCM, below battery.

MOTORS

MOTORS

Component	Component Location
Blower Motor	Under right side of dash.
Door Lock Actuator (2)	In respective door.

2000 Chevrolet Corvette

2000 GENERAL MOTORS Corvette

Electric Actuator (Left/Right)	On respective side of HVAC module.
Engine Cooling Fan Motor (Left)	Behind left side of radiator.
Engine Cooling Fan Motor (Right)	Behind right side of radiator.
Fuel Pump W/Left Fuel Level Sensor	In fuel tank.
Fuel Tank Filler Door Lock Actuator	On left side of cargo compartment, above fuel filler door.
Headlamp Opening Door Assembly (2)	Behind respective headlamp assembly.
Magnasteer Actuator	On left side of steering gear.
Power Seat Motor (3)	Under each seat.
Power Window Motor (2)	In lower section of each door.
Secondary Air Injection (AIR) Pump Motor	On left front of engine compartment, on skid bar.
Temperature Door Motor	On left side of HVAC module.
Throttle Actuator Control (TAC) Motor	On left side of throttle body. See Fig. 3 .
Windshield Washer Pump Motor	On left rear of engine compartment, in washer fluid reservoir.
Windshield Wiper Motor	On left side of firewall.

SENDING UNITS & SENSORS**SENDING UNITS & SENSORS**

Component	Component Location
A/C Refrigerant Pressure Sensor	On A/C high side line.
Accelerator Pedal Position (APP) Sensor	On top of accelerator pedal, part of mounting bracket.
Ambient Light Sensor	On top of driver information center (DIC) switches.
Automatic Transmission Fluid Temperature (TFT) Sensor	Inside transmission.
Brake Pressure Sensor	On brake combination valve, near master cylinder.
Camshaft Position (CMP) Sensor	On top center rear of engine. See Fig. 2 .
Crankshaft Position (CKP) Sensor	On lower right side of engine.
Electronic Suspension Position Sensor (4)	On right side of respective shock spring.
Engine Coolant Temperature (ECT) Sensor	On left side of engine below generator. See Fig. 3 .
Engine Oil Level Sensor	On right side of oil pan.
Engine Oil Pressure (EOP) Sensor	On top center rear of engine. See Fig. 2 .
Engine Oil Temperature (EOT) Gauge Sensor	On bottom left rear of engine. See Fig. 1 .

2000 Chevrolet Corvette

2000 GENERAL MOTORS Corvette

Fuel Level Sensor (2)	Inside each respective fuel tank.
Fuel Tank Pressure Sensor	Near fuel filler neck.
Heated Oxygen Sensor (HO2S), Front (Left)	On exhaust system, forward of catalytic converter. See Fig. 1 .
Heated Oxygen Sensor (HO2S), Front (Right)	On exhaust system, forward of catalytic converter.
Heated Oxygen Sensors (HO2S), Rear (2)	On exhaust system, rear of catalytic converters.
Inflatable Restraint Front End Discriminating Sensor	On lower front center of body frame.
Inside Air Temperature Sensor	In air outlet, right of steering column.
Intake Air Temperature (IAT) Sensor	On front center of engine, in air duct. See Fig. 4 .
Knock Sensor (Front/Rear)	On center of engine, below intake manifold.
Lateral Accelerometer	Under right seat.
Manifold Absolute Pressure (MAP) Sensor	On top rear of intake manifold. See Fig. 2 .
Mass Air Flow (MAF) Sensor	On air intake assembly. See Fig. 4 .
Outside Air Temperature Sensor	On right front of engine compartment.
Starter Solenoid	On top of starter.
Steering Wheel Position Sensor	At base of steering column.
Sunload Temperature Sensor	On top of dash, right side of defroster grille.
Throttle Position (TP) Sensor	On throttle body assembly. See Fig. 3 .
Tire Pressure Monitor Sensor (4)	Inside each respective wheel, part of valve stem.
Vehicle Speed Sensor (VSS)	On right side of differential.
Wheel Speed Sensors (4)	Part of front wheel hub & rear wheel suspension knuckle.
Yaw Rate Sensor	Under HVAC control head.

SOLENOIDS & SOLENOID VALVES

SOLENOIDS & SOLENOID VALVES

Component	Component Location
2-3 Gear Block Out Solenoid (M/T)	Under vehicle, on left side of transmission.
Brake Pressure Modulator Valve (BPMV)	Mounted behind center of rear axle.
Brake/Transmission Shift Interlock (BTSI) Control Solenoid	Under center console, part of shifter.
Evaporative Emission (EVAP) Canister	On top left side of engine, on intake

2000 Chevrolet Corvette

2000 GENERAL MOTORS Corvette

Purge Valve	manifold. See Fig. 3 .
Evaporative Emission (EVAP) Vent Valve Solenoid	Inside right rear wheelhouse panel.
HVAC Control Valve Solenoid	Inside right rear wheelhouse panel.
Pressure Control Solenoid (PC SOL) Valve	Inside transmission.
Rear Compartment Lid Lock Release Solenoid (2)	On latch of respective rear compartment.
Reverse Inhibit Solenoid	On left side of transmission.
Shock Absorber Solenoid (4)	On bottom of respective shock spring.
Torque Converter Clutch Pulse Width Modulation Valve Solenoid (TCC PWM SOL)	Inside transmission.
Torque Converter Clutch Valve (TCC SOL) Solenoid	Inside transmission.
Valve 1-2 Shift Solenoid (1-2 SS)	Inside transmission.
Valve 2-3 Shift Solenoid (2-3 SS)	Inside transmission.
Valve 3-2 Shift Solenoid (3-2 SS)	Inside transmission.

SWITCHES**SWITCHES**

Component	Component Location
Automatic Transmission Fluid Pressure (TFP) Manual Valve Position Switch	Inside transmission.
Back-Up Lamp Switch (M/T)	On right side of transmission.
Brake Fluid Level Indicator Switch	In master cylinder reservoir.
Brake Pressure Differential Switch	On brake combination valve, near master cylinder.
Brake Transmission Shift Interlock (BTISI) Switch	Mounted on bracket in front of brake pedal.
Clutch Pedal Switch	On top of clutch pedal.
Park/Neutral Position Switch & Back-Up Lamp Switch	On left side of transmission.
Park Brake Switch	On parking brake lever.
Seat Belt Switch	In driver's seat belt buckle assembly.
Stoplight Switch	On top of brake pedal support.
Windshield Washer Solvent Level Switch	Inside solvent container.

MISCELLANEOUS

2000 Chevrolet Corvette

2000 GENERAL MOTORS Corvette

MISCELLANEOUS

Component	Component Location
A/C Diode	Taped in harness, near A/C compressor clutch connector.
Compact Disc (CD) Player	In rear compartment, in center storage compartment.
Data Link Connector (DLC)	Under dash, below steering column.
Fuel Injector (8)	On top of intake manifold, at respective intake port.
Star Connector (2)	Instrument panel harness, near left side of BCM.

CONNECTORS**CONNECTORS**

Component	Component Location
C100 (Black, 8 Pin)	At right skid bar, in front of horns.
C101 (Black, 3 Pin)	On engine, above left lower control arm.
C102 (Gray, 20 Pin)	At right rear of engine compartment.
C103 (Black, 2 Pin)	On engine, above left lower control arm.
C104 (Black, 3 Pin)	On engine, above right lower control arm.
C105 (Gray, 2 Pin) (W/ F45)	On left side of front suspension crossmember.
C105 (Gray, 2 Pin) (W/O F45)	On engine, above left lower control arm.
C106 (Black, 2 Pin)	On engine, above right lower control arm.
C107 (Black, 2 Pin)	On center of steering rack.
C108 (Gray, 2 Pin) (W/ F45)	At right side of front suspension crossmember.
C108 (Gray, 2 Pin) (W/O F45)	On engine, above right lower control arm.
C109 (Gray, 8 Pin)	At top center of left valve cover. See Fig. 3 .
C110 (Gray, 8 Pin)	At top center of right valve cover. See Fig. 3 .
C112 (Black, 2 Pin)	At top rear of engine, mounted to vacuum hose. See Fig. 2 .
C113 (Black, 2 Pin)	At right side of lower radiator support.
C140 (Gray, 10 Pin)	At right side of engine compartment, below battery.
C142 (Gray, 20 Pin)	At right rear of engine compartment, below battery.

2000 Chevrolet Corvette

2000 GENERAL MOTORS Corvette

C144 (Gray, 20 Pin)	At right rear of engine compartment, below battery.
C146 (Black, 10 Pin)	At right rear of engine compartment, below battery.
C148 (Black, 10 Pin)	At right rear of engine compartment, below battery.
C150 (Gray, 20 Pin)	At right rear of engine compartment, below battery.
C200 (Black, 6 Pin)	In grommet, on right door.
C201 (Black, 6 Pin)	In grommet, on left door.
C202 (Blue, 10 Pin)	In grommet, on right door.
C203 (Blue, 10 Pin)	In grommet, on left door.
C204 (Black, 4 Pin)	At right rear of engine compartment, below battery.
C206 (Black, 3 Pin)	Under electronic traction/suspension control switch.
C207 (Black, 4 Pin)	On lower dash bar for steering column lock.
C208 (Black, 3 Pin)	At left side of steering column, on dash lower beam.
C209 (Black, 23 Pin)	On lower dash bar headlight & turn signal switches.
C210 (Black, 2 Pin)	At left side of steering column, on dash lower beam.
C211 (2 Pin)	At left side of steering column, on lower dash bar.
C212 (Black, 3 Pin)	At left side of steering column, on dash lower beam.
C213 (Yellow, 2 Pin)	Taped to dash harness, near Bose signal processor.
C215 (Natural, 10 Pin)	Behind hazard warning switch.
C217 (Black, 4 Pin)	At left side of steering column, on lower dash bar.
C219 (Black, 6 Pin)	At left side of steering column, on dash lower beam.
C301 (Black, 6 Pin)	Under left seat.
C302 (Black, 6 Pin)	Under right seat.
C303 (Blue, 8 Pin)	Under left seat.
C400 (Black, 8 Pin)	At rear of right rear control arm.
C401 (Black, 3 Pin)	On frame, below left rear shock absorber.

2000 Chevrolet Corvette

2000 GENERAL MOTORS Corvette

C402 (Black, 10 Pin)	Between transmission harness & fuel tank jumper harness.
C403 (Black, 2 Pin)	On frame, below left rear shock absorber.
C404 (Black, 3 Pin)	On frame, below right rear shock absorber.
C406 (Black, 2 Pin)	On frame, below left rear shock absorber.
C408 (Black, 4 Pin)	Fuel tank jumper harness to left fuel tank.
C409 (Black, 3 Pin)	Fuel tank jumper harness to fuel tank pressure sensor.

GROUND**GROUND**

Component	Component Location
G101	On left frame rail, between left headlight opener & generator. See Fig. 5 .
G102	On top of right frame rail, behind right headlight. See Fig. 5 .
G104	On right frame rail, below battery tray. See Fig. 5 .
G105	On left bottom of engine. See Fig. 1 .
G106	On right side of engine, above starter.
G107	At top left rear of engine.
G108	On right frame rail, below battery tray. See Fig. 5 .
G201	At base of left "A" pillar. See Fig. 5 .
G202	At base of right "A" pillar.
G205	Behind left seat, at antenna module. See Fig. 5 .
G301	Behind left seat, at antenna module.
G302	At right "B" pillar.
G401	At rear of vehicle, on inner side of left frame rail. See Fig. 5 .
G402	At rear of vehicle, on inner side of right frame rail.

SPLICES**SPLICES**

Component	Component Location
S100	In right ignition control module jumper, 6 cm from breakout to C110.

2000 Chevrolet Corvette

2000 GENERAL MOTORS Corvette

S101	In left ignition control module jumper, 6 cm from breakout to C109.
S102	In right ignition control module jumper, 5 cm from breakout to C110.
S103	In left ignition control module jumper, 5 cm from breakout to C109.
S104	In right ignition control module jumper, 4 cm from breakout to ignition coil/module No. 4.
S105	In left ignition control module jumper, 4 cm from breakout to ignition coil/module No. 5.
S106	In forward light harness, 12.5 cm from breakout to EBTCM connector.
S108	In forward light harness, 6 cm from breakout to EBTCM connector.
S120	In engine harness, 15 cm from main harness, in branch leading to powertrain control module connectors.
S200	In dash harness, 22.5 cm from inside rearview mirror breakout.
S201	In dash harness, 35 cm from HVAC control head connector.
S202	In dash harness, 39.5 cm from inside rearview mirror breakout.
S204	In engine harness, 6.5 cm from breakout to C150.
S205	In dash harness, 6.5 cm from breakout to data link connector.
S206	In dash harness, 5 cm from breakout to blower motor control module connector.
S208	In dash harness, 32.5 cm from radio connectors.
S210	In dash harness, 10 cm from breakout to blower motor control module.
S212	In dash harness, 22.5 cm from electronic accessory plug connector.
S213	In dash harness, 7.5 cm right of brake switch connector breakout.
S215	In dash harness, 6.5 cm left of inflatable restraint dash breakout.

2000 Chevrolet Corvette

2000 GENERAL MOTORS Corvette

S300-IDC	In left power seat harness, 4 cm from breakout to right seat relay center connection.
S301-IDC	In left power seat harness, 2.5 cm from breakout for C301.
S302	In front body harness, 12 cm from right speaker breakout.
S303	In front body harness, 15 cm from right speaker breakout.
S304	In front body harness, 22.5 cm from right rear speaker breakout.
S308	In dash harness, 19 cm from yaw rate sensor connector.
S310	In dash harness, 11 cm from yaw rate sensor connector.
S312	In front body harness, 20 cm from SP302 breakout.
S314	In front body harness, 20 cm from SP302 breakout.
S391	In left power seat harness, under seat base.
S392	In left power seat harness, under seat base.
S400	In transmission harness, 6.5 cm from C402 breakout.
S402	In transmission harness, 55 cm from right rear shock absorber breakout.
S408	In fuel tank jumper harness, 6.5 cm from C402 breakout.
S410	In fuel tank jumper harness, 81.5 cm from C408 breakout.
S481	In rear body harness, 6.5 cm from breakout to left back-up light.
S482	In rear body harness, 21.5 cm from SP400 breakout.
S484	In rear body harness, 8 cm from SP400 breakout.
S501-IDC	In left door harness, 6 cm from outside rearview mirror connector breakout.
S600-IDC	In right door harness, 6 cm from outside rearview mirror breakout.
SP100	In forward light harness, at breakout to right headlight opening door connector.

2000 Chevrolet Corvette

2000 GENERAL MOTORS Corvette

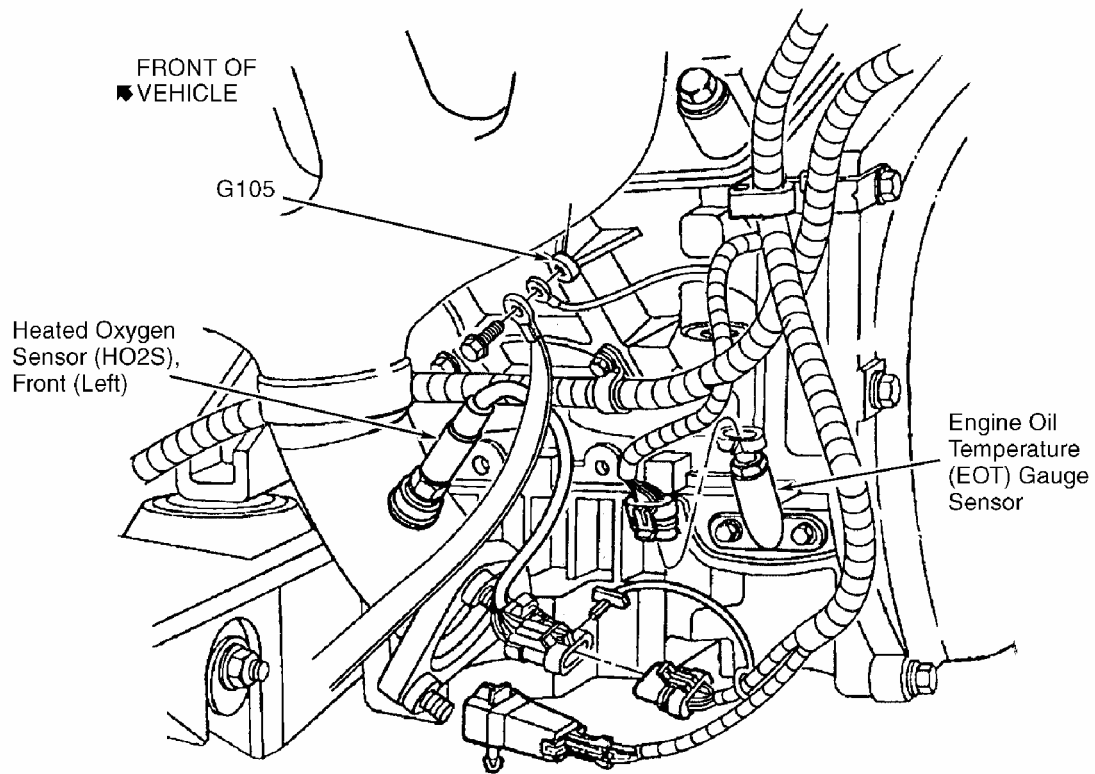
SP101	In forward light harness, near left headlight opener assembly.
SP102	Taped to forward light jumper, 10 cm left of C100.
SP122	In engine harness, 30 cm from breakout to starter solenoid.
SP201	In dash harness.
SP202	In dash harness.
SP203	In dash harness.
SP208	In dash harness, on right side of dash.
SP302	In front body harness, 83.5 cm from right power seat breakout.
SP400	In rear body harness, taped to harness, between back-up light & tail/stoplight breakout.
SP402	In rear body harness, taped to harness, between auto fuse & right license light breakout.

COMPONENT LOCATION GRAPHICS

NOTE: Figures may show multiple component locations. Refer to appropriate table for proper figure references.

2000 Chevrolet Corvette

2000 GENERAL MOTORS Corvette

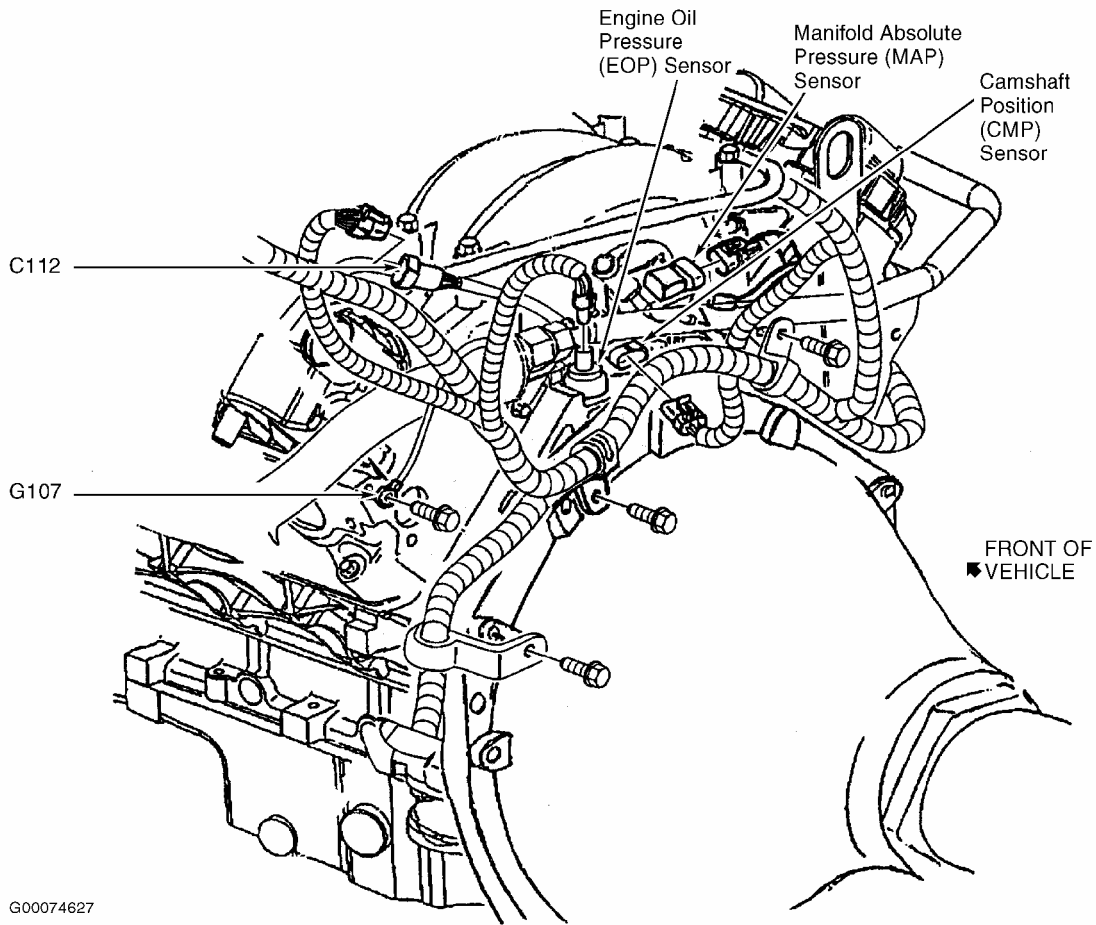


G00074626

Fig. 1: Left Lower Rear Of Engine

2000 Chevrolet Corvette

2000 GENERAL MOTORS Corvette

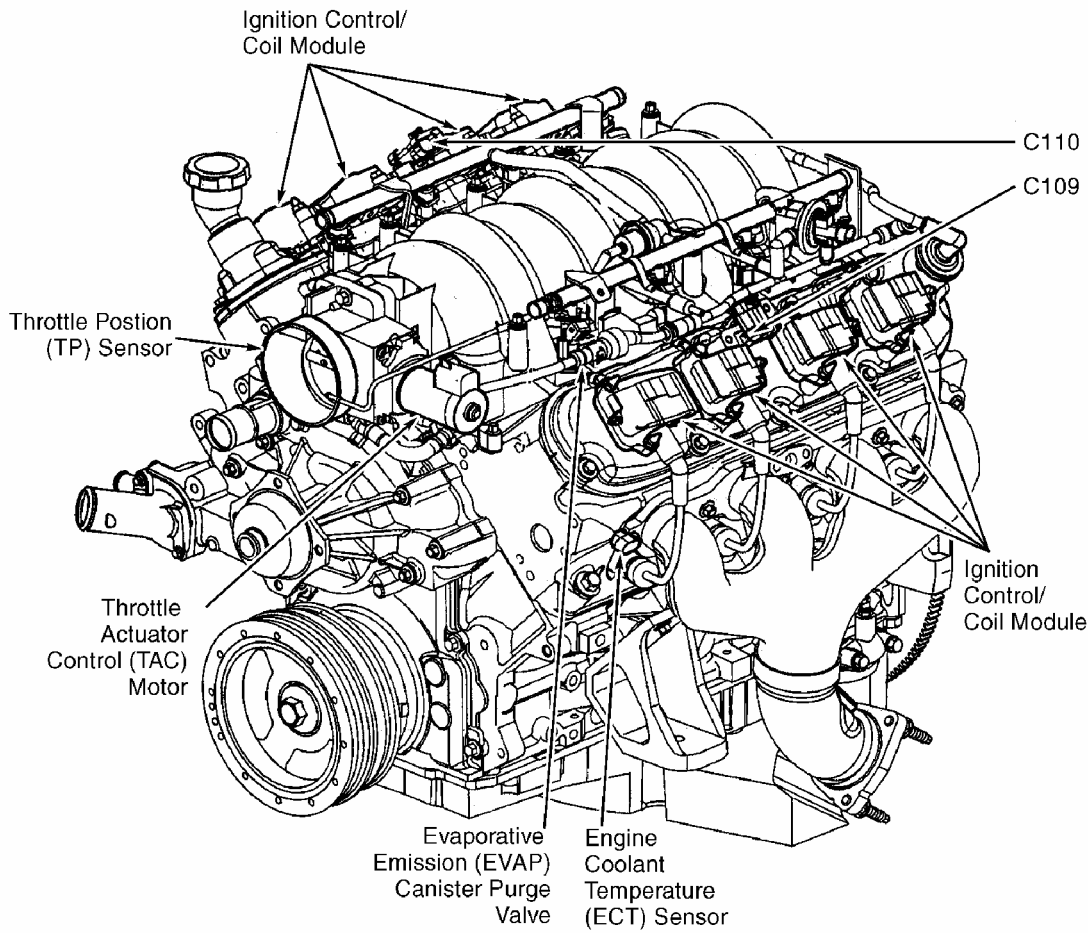


G00074627

Fig. 2: Left Rear Of Engine

2000 Chevrolet Corvette

2000 GENERAL MOTORS Corvette

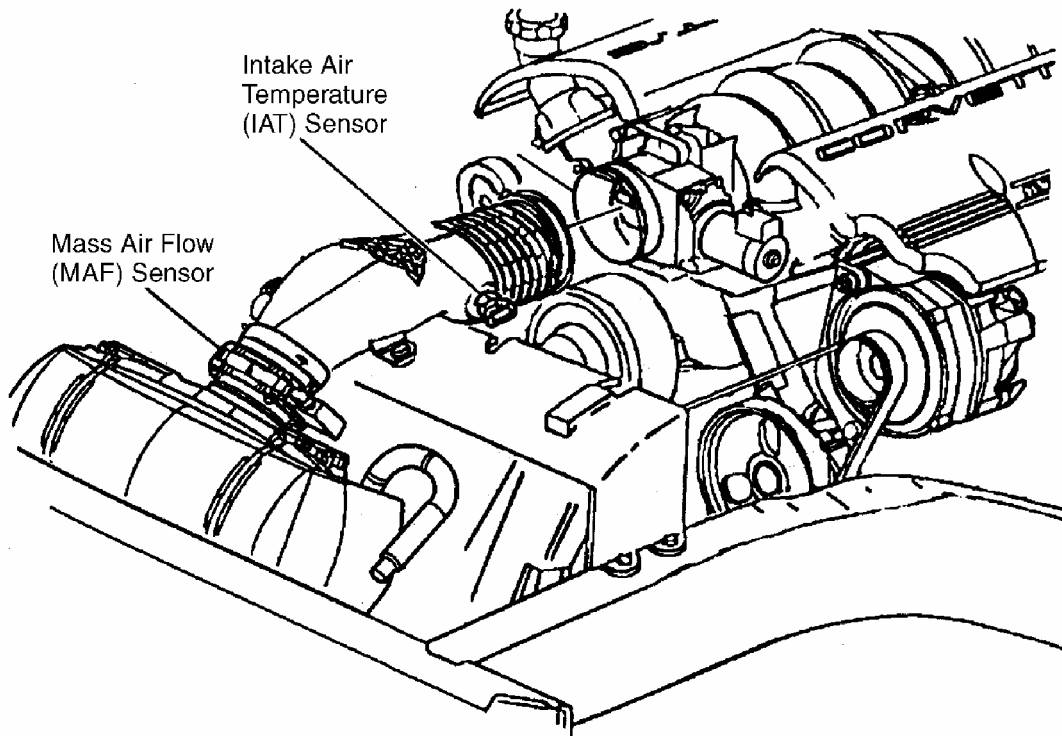


G00074628

Fig. 3: Left Front Of Engine

2000 Chevrolet Corvette

2000 GENERAL MOTORS Corvette

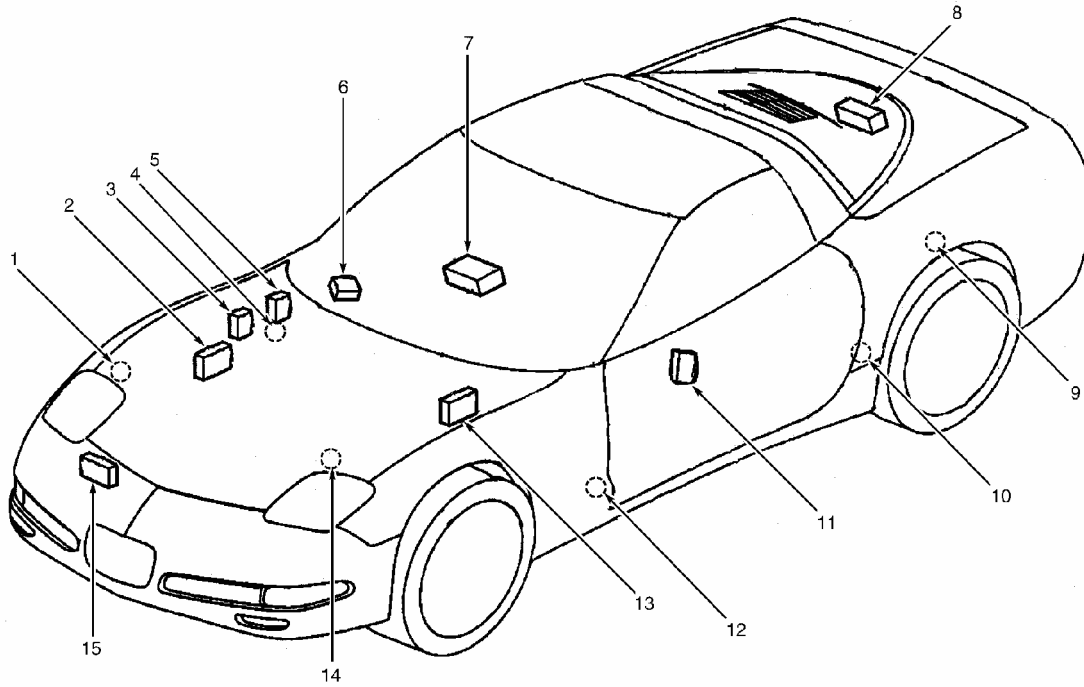


98B02207

Fig. 4: Front Of Engine

2000 Chevrolet Corvette

2000 GENERAL MOTORS Corvette



- | | | |
|--|---|---|
| 1. G102 | 3. Powertrain Control Module (PCM) | 7. RH Relay Center |
| 2. Underhood Electrical Center
(A/C CLU Relay/
Air Pump Relay/
Back-Up LP Relay/
Cooling Fan 1 Relay/
Cooling Fan 2 Relay/
Cooling Fan 3 Relay/
Fog LP Relay/
Fuel Pump Relay/
Horn Relay/
Ignition Relay/
RTD Relay) | 4. G104, G108 | 8. Electronic Suspension Control
(ESC) Module |
| | 5. Blower Motor Control Module | 9. G401 |
| | 6. Instrument Panel Electrical Center
(ALC HDLP Relay/
ALC PRK LP Relay/
Bose Relay/
Courtesy Lamp Relay/
Daytime Running Lamp Relay (2)/
Defogger RR Relay/
Hatch/TRK Relay/
Monitored Micro Relay/
TONN REL Relay) | 10. G205 |
| | | 11. Driver Seat Control Module |
| | | 12. G201 |
| | | 13. Inflatable Restraint Sensing &
Diagnostic Module |
| | | 14. G101 |
| | | 15. Headlamp Opening Door Actuator
Control Module |

G00074630

Fig. 5: Vehicle Overview