

1998 Chevrolet Corvette

1998 GENERAL MOTORS Corvette

1998 GENERAL MOTORS**Corvette****BUZZERS, RELAYS & TIMERS****BUZZERS, RELAYS & TIMERS**

Component	Component Location
A/C CLU Relay	In underhood electrical center. See Fig. 5 .
ABSTRNS Relay	In underhood electrical center. See Fig. 5 .
Air Pump Relay	In underhood electrical center. See Fig. 5 .
Air SOL Relay	In underhood electrical center. See Fig. 5 .
Blower Motor Relay	Part of blower motor control module.
Bose Relay	In instrument panel electrical center. See Fig. 5 .
Cooling Fan 1 Relay	In underhood electrical center. See Fig. 5 .
Cooling Fan 2 Relay	In underhood electrical center. See Fig. 5 .
Cooling Fan 3 Relay	In underhood electrical center. See Fig. 5 .
Courtesy Lamp Relay	In instrument panel electrical center. See Fig. 5 .
Daytime Running Lamp Relay (2)	In instrument panel electrical center. See Fig. 5 .
Defogger RR Relay	In instrument panel electrical center. See Fig. 5 .
Fog LP Relay	In underhood electrical center. See Fig. 5 .
Fuel Pump Relay	In underhood electrical center. See Fig. 5 .
Hatch/TRK Relay	In instrument panel electrical center. See Fig. 5 .
Horn Relay	In underhood electrical center. See Fig. 5 .
Ignition Relay	In underhood electrical center. See Fig. 5 .
Monitored Micro Relay	In instrument panel electrical center. See Fig. 5 .
RTD Relay	In underhood electrical center. See Fig. 5 .
Theft Deterrent Relay	In instrument panel electrical center. See Fig. 5 .

CIRCUIT PROTECTION DEVICES**CIRCUIT PROTECTION DEVICES**

Component	Component Location
Instrument Panel Electrical Center	In right front footwell, mounted to toe

1998 Chevrolet Corvette

1998 GENERAL MOTORS Corvette

	board. See Fig. 5 .
LH Relay Center	Under center of left seat.
RH Relay Center	Under center of right seat. See Fig. 5 .
Underhood Electrical Center	On right rear of engine compartment. See Fig. 5 .

CONTROL UNITS**CONTROL UNITS**

Component	Component Location
Blower Motor Control Module	Behind right side of dash. See Fig. 5 .
Body Control Module (BCM)	Mounted on toe board, in right footwell.
Daytime Running Lamps (DRL) Control Module	Behind left side of dash. See Fig. 5 .
Door Control Module (2)	In lower center of respective door.
Driver Seat Control Module	On underside of driver's seat. See Fig. 5 .
Electronic Brake/Traction Control Module (EBTCM)	Rear of vehicle, behind center of axle. See Fig. 5 .
Electronic Suspension Control (ESC) Module	In rear compartment, inside rear tub. See Fig. 5 .
Headlamp Opening Door Actuator Control Module	In lower right front of engine compartment. See Fig. 5 .
Ignition Control/Coil Module (8)	On valve covers, at top of respective cylinders. See Fig. 1 .
Inflatable Restraint Sensing & Diagnostic Module	Below center of dash. See Fig. 5 .
Powertrain Control Module (PCM)	On right side of engine compartment. See Fig. 5 .
Radio Antenna Module	Behind lower "B" pillar trim panel.
Remote Control Door Lock Receiver	On left side of rear compartment.
Throttle Actuator Control (TAC) Module	On left side of throttle body.

MOTORS**MOTORS**

Component	Component Location
Blower Motor	Under right side of dash.
Door Lock Actuator (2)	In respective door.
Engine Cooling Fan Motor (Left)	Behind left side of radiator.
Engine Cooling Fan Motor (Right)	Behind right side of radiator.

1998 Chevrolet Corvette

1998 GENERAL MOTORS Corvette

Fuel Pump W/Left Fuel Level Sensor	In fuel tank.
Fuel Tank Filler Door Lock Actuator	On left side of cargo compartment, above fuel filler door.
Headlamp Opening Door Assembly (2)	Behind respective headlamp assembly.
Magnasteer Actuator	On left side of steering gear.
Power Seat Motor (3)	Under each seat.
Power Window Motor (2)	In lower section of each door.
Secondary Air Injection (AIR) Pump Motor	On left front of engine compartment, on skid bar.
Temperature Door Motor	Behind dash, mounted on heater plenum.
Throttle Actuator Control (TAC) Motor	On left side of throttle body. See Fig. 1 .
Windshield Washer Pump Motor	On left rear of engine compartment, in washer fluid reservoir.
Windshield Wiper Motor	On left side of firewall.

SENDING UNITS & SENSORS

SENDING UNITS & SENSORS

Component	Component Location
A/C Refrigerant Pressure Sensor	On A/C high side line.
Accelerator Pedal Position (APP) Sensor	On top of accelerator pedal, part of mounting bracket.
Ambient Light Sensor	On top of driver information center switches.
Automatic Transmission Fluid Temperature (TFT) Sensor	Inside transmission.
Camshaft Position (CMP) Sensor	On top center rear of engine. See Fig. 4 .
Crankshaft Position (CKP) Sensor	On lower right side of engine.
Electronic Suspension Position Sensor (4)	On right side of respective shock spring.
Engine Coolant Temperature (ECT) Sensor	On left side of engine below generator. See Fig. 1 .
Engine Oil Level Sensor	On left side of oil pan.
Engine Oil Pressure (EOP) Sensor	On top center rear of engine. See Fig. 4 .
Engine Oil Temperature (EOT) Gauge Sensor	On bottom left rear of engine. See Fig. 3 .
Fuel Level Sensor (2)	Inside each respective fuel tank.
Heated Oxygen Sensor (HO2S), Front (Left)	On exhaust system, forward of catalytic converter. See Fig. 3 .
Heated Oxygen Sensor (HO2S), Front (Right)	On exhaust system, forward of catalytic converter.

1998 Chevrolet Corvette

1998 GENERAL MOTORS Corvette

Heated Oxygen Sensors (HO2S), Rear (2)	On exhaust system, rear of catalytic converters.
Inflatable Restraint Front End Discriminating Sensor	On lower front center of body frame.
Inside Air Temperature Sensor	In air outlet, right of steering column.
Intake Air Temperature (IAT) Sensor	On front center of engine, in air duct. See Fig. 2 .
Knock Sensors (2)	On center of engine, below intake manifold.
Manifold Absolute Pressure (MAP) Sensor	On top rear of intake manifold. See Fig. 4 .
Mass Air Flow (MAF) Sensor	On air intake assembly. See Fig. 2 .
Outside Air Temperature Sensor	On right front of engine compartment.
Starter Solenoid	On top of starter.
Steering Wheel Position Sensor	At base of steering column.
Sunload Temperature Sensor	On top of dash, left side of defroster grille.
Throttle Position (TP) Sensor	On throttle body assembly. See Fig. 1 .
Tire Pressure Monitor Sensor (4)	Inside each respective wheel, part of valve stem.
Vehicle Speed Sensor (VSS)	On right side of differential.
Wheel Speed Sensors (4)	Part of front wheel hub & rear wheel suspension knuckle.

SOLENOIDS & SOLENOID VALVES

SOLENOIDS & SOLENOID VALVES

Component	Component Location
2-3 Gear Block Out Solenoid (M/T)	Under vehicle, on left side of transmission.
Brake Pressure Modulator Valve (BPMV)	Mounted behind center rear axle.
Brake/Transmission Shift Interlock (BTSI) Control Solenoid	Under center console, part of shifter.
Evaporative Emission (EVAP) Canister Purge Valve	On top left side of engine, on intake manifold. See Fig. 1 .
Pressure Control Solenoid (PC SOL) Valve	Inside transmission.
Rear Compartment Lid Lock Release Solenoid (2)	On latch of respective rear compartment.
Reverse Inhibit Solenoid	On left side of transmission.
Shock Absorber Solenoid (4)	On bottom of respective shock spring.
Torque Converter Clutch Pulse Width Modulation Valve Solenoid (TCC PWM)	Inside transmission.

1998 Chevrolet Corvette

1998 GENERAL MOTORS Corvette

SOL)	
Torque Converter Clutch Valve (TCC SOL) Solenoid	Inside transmission.
Valve 1-2 Shift Solenoid (1-2 SS)	Inside transmission.
Valve 2-3 Shift Solenoid (2-3 SS)	Inside transmission.
Valve 3-2 Shift Solenoid (3-2 SS)	Inside transmission.

SWITCHES**SWITCHES**

Component	Component Location
Automatic Transmission Fluid Pressure (TFP) Manual Valve Position Switch	Inside transmission.
Back-Up Lamp Switch (M/T)	On right side of transmission.
Brake Fluid Level Indication Switch	In master cylinder reservoir.
Brake Transmission Shift Interlock (BTSI) Switch	Mounted on bracket in front of brake pedal.
Clutch Pedal Switch	On top of clutch pedal.
Cruise Control Release Switch	On bracket in front of brake pedal.
Engine Coolant Level (ECL) Indicator Switch	On bottom of coolant reservoir.
Evaporative Emission (EVAP) Vacuum Purge Switch	On top left side of engine, on intake manifold. See Fig. 1 .
Hood Ajar Switch	On engine compartment support bracket.
Park/Neutral Position Switch & Back-Up Lamp Switch	On left side of transmission.
Park Brake Switch	On parking brake lever.
Seat Belt Switch	In driver's seat belt buckle assembly.
Stoplamp Switch	On top of brake pedal support.
Torque Converter Clutch (TCC)/ Cruise Brake Switch	On top of brake pedal support.
Windshield Washer Solvent Level Switch	Inside solvent container.

MISCELLANEOUS**MISCELLANEOUS**

Component	Component Location
A/C Diode	Taped in harness, near A/C compressor clutch connector.
Compact Disc (CD) Player	In rear compartment, in center storage

1998 Chevrolet Corvette

1998 GENERAL MOTORS Corvette

	compartment.
Data Link Connector (DLC)	Under dash, below steering column.
Electronic Accessory Plug	In center console assembly.
Fuel Injector (8)	On top of intake manifold, at respective intake port.
Star Connector (2)	Instrument panel harness.

CONNECTORS

CONNECTORS

Component	Component Location
C100 (8 Pin)	At right side of engine compartment, behind headlight.
C101 (3 Pin)	On engine, above left lower control arm.
C102 (8 Pin)	At right rear of engine compartment.
C103 (2 Pin)	On engine, above left lower control arm.
C104 (3 Pin)	On engine, above right lower control arm.
C105 (2 Pin)	On engine, above left lower control arm.
C106 (2 Pin)	On engine, above right lower control arm.
C107 (2 Pin)	On center of steering rack.
C108 (2 Pin)	On engine, above right lower control arm.
C109 (7 Pin)	At top center of left valve cover. See Fig. 1 .
C110 (7 Pin)	At top center of right valve cover. See Fig. 1 .
C112 (2 Pin)	At top rear of engine, mounted to vacuum hose. See Fig. 4 .
C140 (10 Pin)	At right side of engine compartment.
C142 (20 Pin)	At right rear of engine compartment, below battery.
C144 (20 Pin)	At right rear of engine compartment, below battery.
C146 (20 Pin)	At right rear of engine compartment, below battery.
C148 (10 Pin)	At right rear of engine compartment, below battery.
C150 (10 Pin)	At right rear of engine compartment, below battery.
C200 (6 Pin)	In grommet, on right door.
C201 (6 Pin)	In grommet, on left door.

1998 Chevrolet Corvette

1998 GENERAL MOTORS Corvette

C202 (10 Pin)	In grommet, on right door.
C203 (10 Pin)	In grommet, on left door.
C204 (4 Pin)	At right rear of engine compartment, below battery.
C207 (4 Pin)	On lower dash bar for steering column lock.
C209 (23 Pin)	At base of steering column.
C211 (3 Pin)	At left side of steering column, on lower dash bar.
C213 (2 Pin)	Behind left side of dash.
C215 (10 Pin)	Behind hazard warning switch.
C217 (4 Pin)	At left side of steering column, on lower dash bar.
C219 (6 Pin)	At left side of steering column, on dash lower beam.
C301 (6 Pin)	Under left seat.
C302 (6 Pin)	Under right seat.
C400 (8 Pin)	At rear center of vehicle, above differential.
C401 (3 Pin)	On frame, below left rear shock absorber.
C402 (10 Pin)	Between transmission harness & fuel tank jumper harness.
C403 (2 Pin)	On frame, below left rear shock absorber.
C404 (3 Pin)	On frame, below right rear shock absorber.
C406 (2 Pin)	On frame, below left rear shock absorber.
C408 (4 Pin)	Fuel tank jumper harness to left fuel tank.

GROUNDINGS

GROUNDINGS

Component	Component Location
G101	On left frame rail, between left headlight opener & generator. See Fig. 5 .
G102	Between battery & underhood electrical center. See Fig. 5 .
G104	On right frame rail, below battery tray. See Fig. 5 .
G105	On left bottom of engine. See Fig. 3 .
G106	On right side of engine, above starter.
G107	At top left rear of engine. See Fig. 4 .

1998 Chevrolet Corvette

1998 GENERAL MOTORS Corvette

G201	At base of left "A" pillar. See Fig. 5 .
G202	At base of right "A" pillar.
G205	Behind left seat, at antenna module. See Fig. 5 .
G301	Behind left seat, at antenna module.
G302	At right "B" pillar.
G401	At rear of vehicle, on inner side of left frame rail. See Fig. 5 .
G402	At rear of vehicle, on inner side of right frame rail.

SPLICES**SPLICES**

Component	Component Location
S100	In right ignition control module jumper, 6 cm from breakout to C110.
S101	In left ignition control module jumper, 6 cm from breakout to C109.
S102	In right ignition control module jumper, 5 cm from breakout to C110.
S103	In left ignition control module jumper, 5 cm from breakout to C109.
S104	In right ignition control module jumper, 4 cm from breakout to ignition coil/module No. 4.
S105	In left ignition control module jumper, 4 cm from breakout to ignition coil/module No. 5.
S120	In engine harness, 15 cm from main harness, in branch leading to powertrain control module.
S200	In dash harness, 22.5 cm from inside rearview mirror breakout.
S201	In dash harness, 35 cm from HVAC control head connector.
S202	In dash harness, 46.5 cm from inside rearview mirror breakout.
S204	In engine harness, 7.5 cm from breakout to C150.
S205	In dash harness, 12.5 cm from breakout to

1998 Chevrolet Corvette

1998 GENERAL MOTORS Corvette

	data link connector.
S206	In dash harness, 14 cm from breakout to blower motor control module connector.
S207	In dash harness, 20 cm from daytime running lights connector.
S208	In dash harness, 32.5 cm from radio connectors.
S209	In dash harness, 20 cm from end of instrument cluster connector.
S210	In dash harness, 10 cm from breakout to blower motor control module.
S211	In dash harness, 30 cm from end of instrument cluster connector.
S213	In dash harness, 7.5 cm right of brake switch connector breakout.
S215	In dash harness, 6.5 cm left of inflatable restraint dash breakout.
S217	In dash harness, 7 cm left of data link connector breakout.
S300-IDC	In right power seat harness, 13.5 cm from breakout to C302.
S301-IDC	In left power seat harness, 11 cm from breakout for C301.
S302	In front body harness, 7.5 cm from right speaker breakout.
S303	In front body harness, 22.5 cm from right speaker breakout.
S304	In front body harness, 15 cm from right rear speaker breakout.
S305-IDC	In left power seat harness, 14.5 cm from C301.
S306-IDC	In left power seat harness, 18.5 cm from C301.
S400	In transmission harness, 6.5 cm from C402 breakout.
S404	In transmission harness, 6.5 cm forward of EBTCM breakout.
S406	In transmission harness, 29.5 cm from EBTCM.
S408	In fuel tank jumper harness, 76 cm from left fuel tank connector.

1998 Chevrolet Corvette

1998 GENERAL MOTORS Corvette

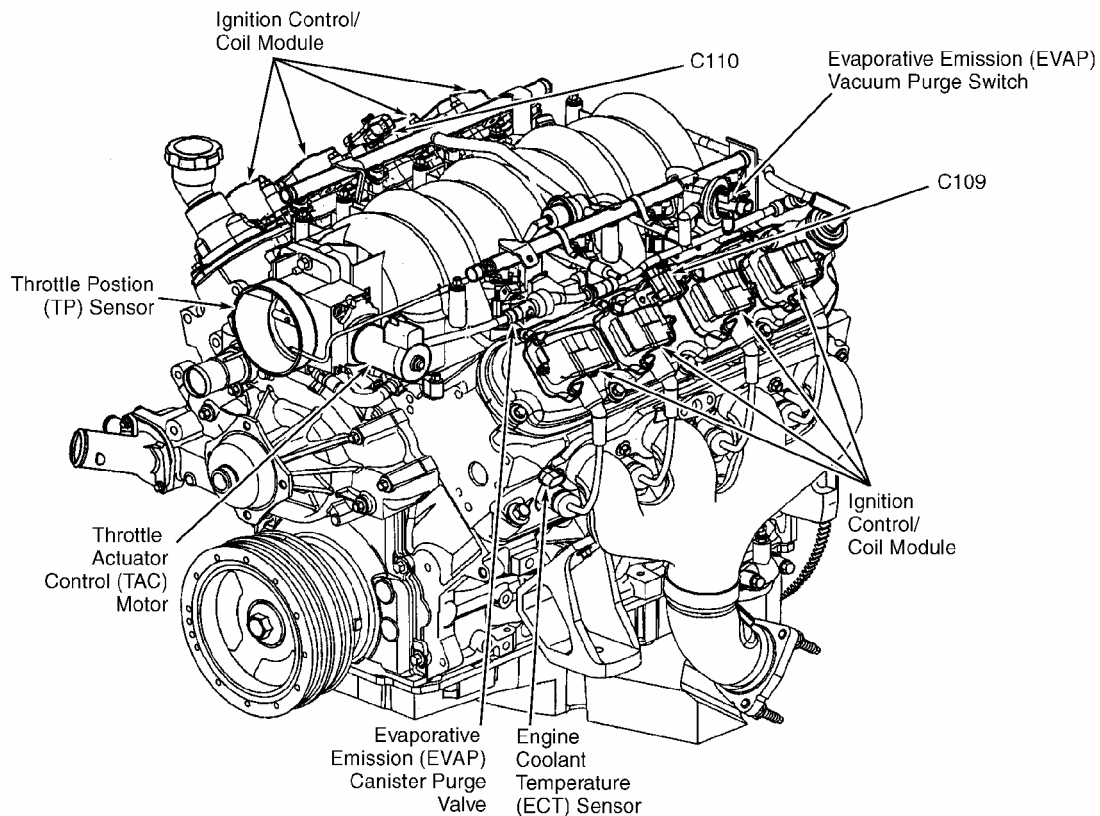
S410	In fuel tank jumper harness, 6.5 cm from C402 breakout.
S481	In rear body harness, 6.5 cm from breakout to left back-up light.
S482	In rear body harness, 21.5 cm from SP400 breakout.
S484	In rear body harness, 7.0 cm from SP400 breakout.
S492	In rear body harness, 6.5 cm left of right turn signal breakout.
S501-IDC	In left door harness, 6 cm from outside rearview mirror connector breakout.
S600	In right door harness, 6 cm from outside rearview mirror breakout.
SP100	In forward light harness, on G102.
SP101	In forward light harness, on G101.
SP102	Taped to forward light jumper, 10 cm left of C100.
SP102	In forward light jumper harness, 6 cm left of breakout to rearview mirror connector.
SP104	In engine harness, at right rear side of right wheelwell.
SP201	In dash harness.
SP202	In dash harness.
SP203	In dash harness.
SP208	In dash harness, on right side of dash.
SP400	In rear body harness, taped to harness, between back-up light & tail/stoplight breakout.
SP402	In rear body harness, taped to harness, between auto fuse & right license light breakout.

COMPONENT LOCATION GRAPHICS

NOTE: Figures may show multiple component locations. Refer to appropriate table for proper figure references.

1998 Chevrolet Corvette

1998 GENERAL MOTORS Corvette

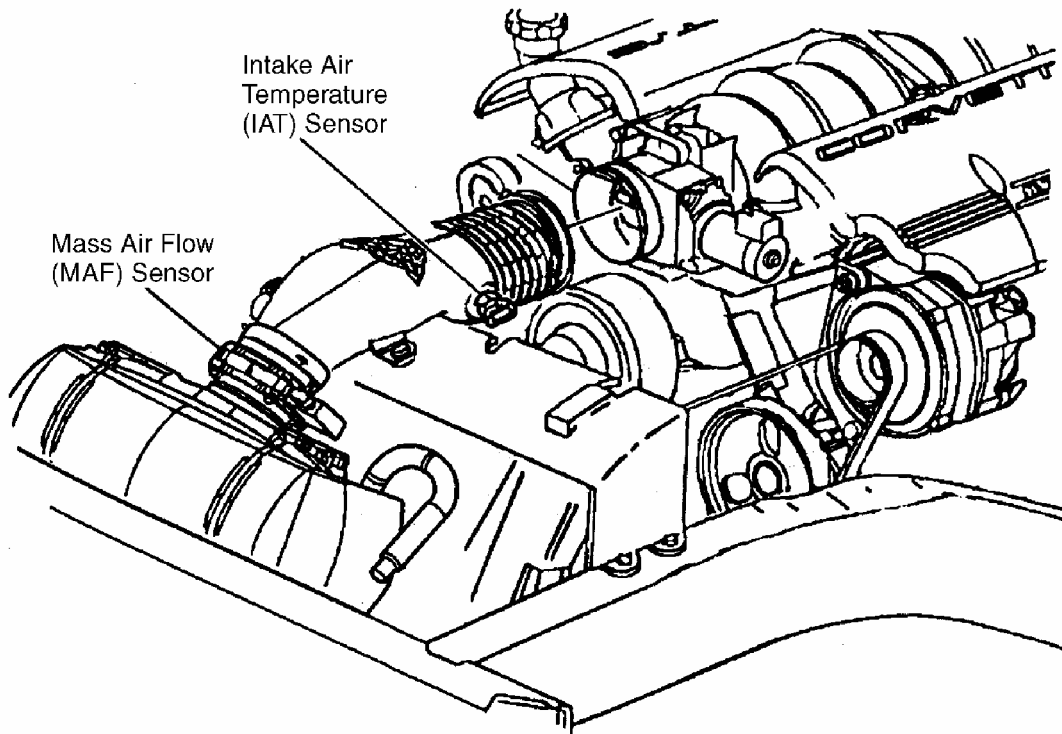


G00074633

Fig. 1: Left Side Of Engine

1998 Chevrolet Corvette

1998 GENERAL MOTORS Corvette

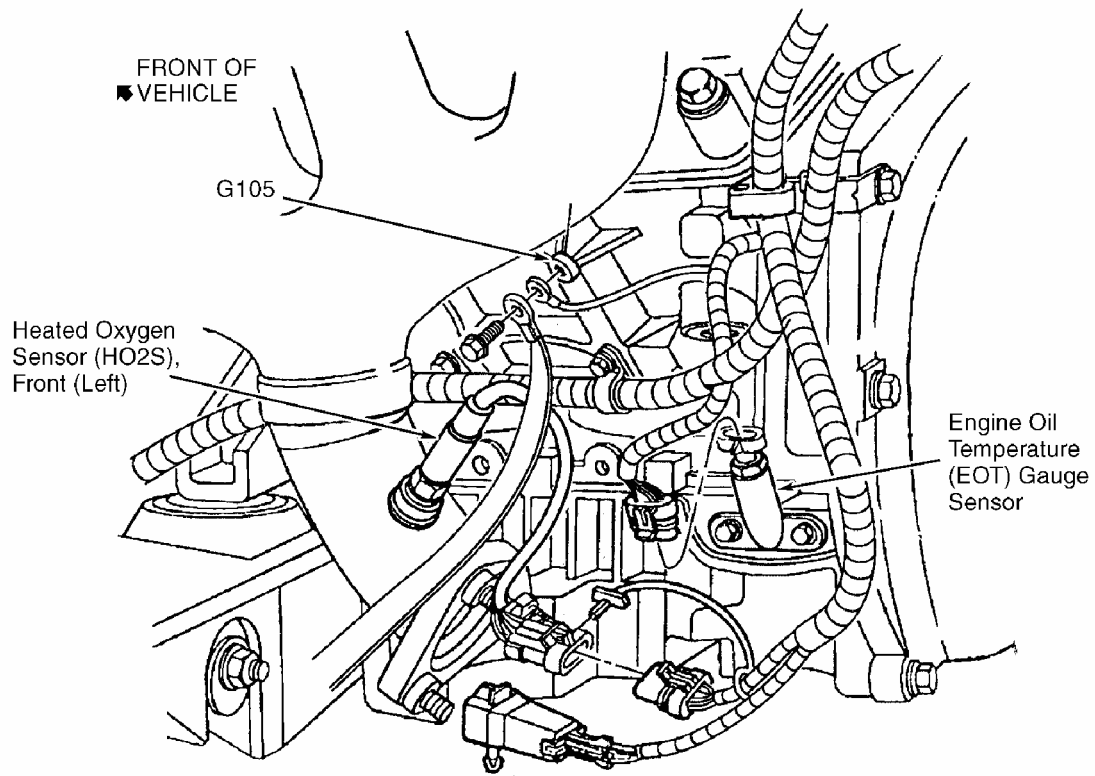


98B02207

Fig. 2: Front Of Engine Compartment

1998 Chevrolet Corvette

1998 GENERAL MOTORS Corvette

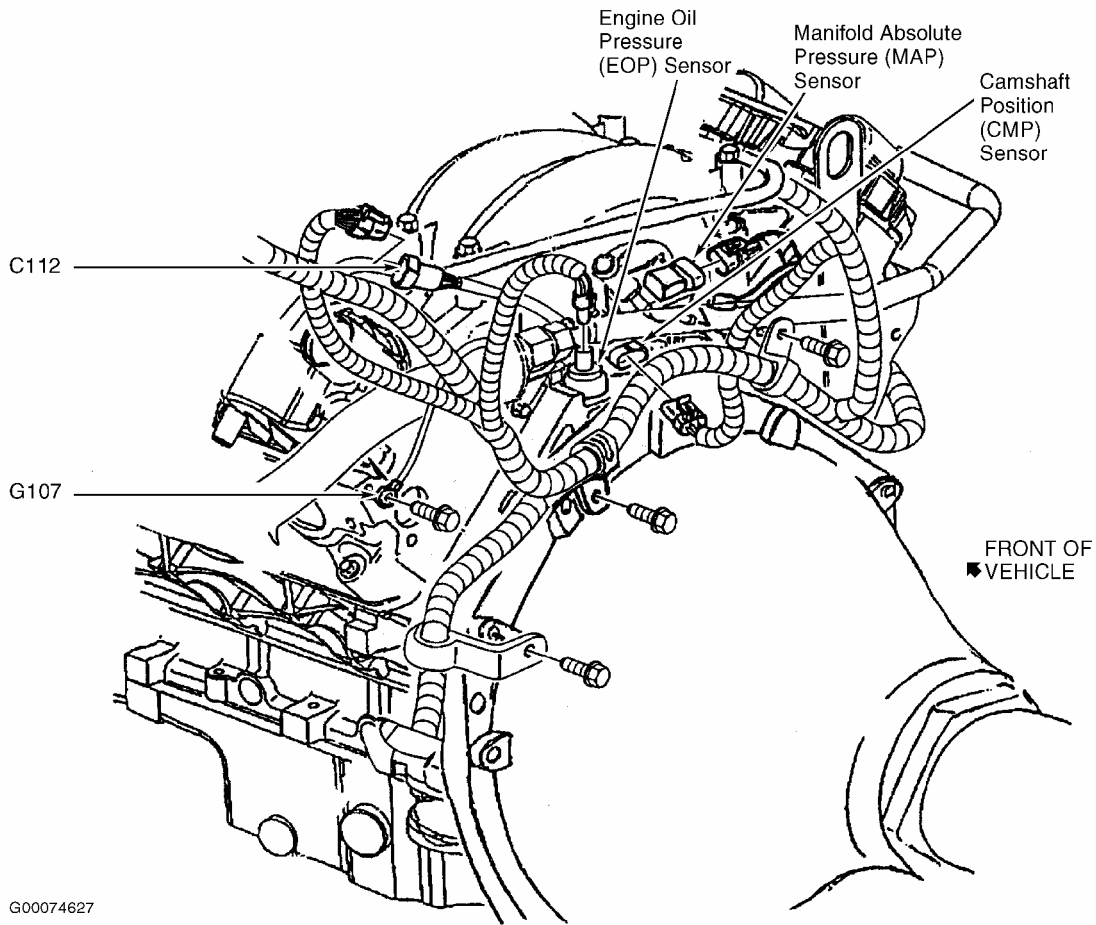


G00074626

Fig. 3: Left Lower Side Of Engine

1998 Chevrolet Corvette

1998 GENERAL MOTORS Corvette

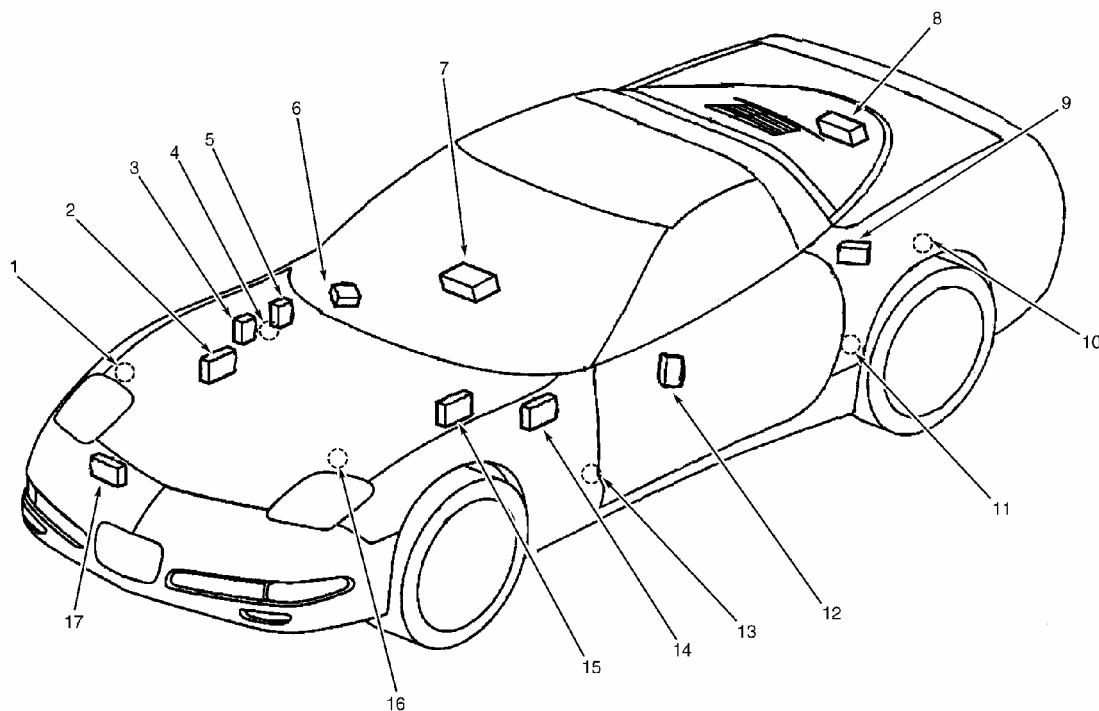


G00074627

Fig. 4: Left Rear Of Engine

1998 Chevrolet Corvette

1998 GENERAL MOTORS Corvette



- | | | |
|--------------------------------|---|--|
| 1. G102 | 3. Powertrain Control Module (PCM) | 9. Electronic Brake/Traction Control Module (EBTCM) |
| 2. Underhood Electrical Center | 4. G104 | 10. G401 |
| A/C CLU Relay | 5. Blower Motor Control Module | 11. G205 |
| ABSTRNS Relay | 6. Instrument Panel Electrical Center | 12. Driver Seat Control Module |
| Air Pump Relay | Bose Relay | 13. G201 |
| Air SOL Relay | Courtesy Lamp Relay | 14. Daytime Running Lamps (DRL) Control Module |
| Cooling Fan 1 Relay | Daytime Running Lamp Relay (2) | 15. Inflatable Restraint Sensing & Diagnostic Module |
| Cooling Fan 2 Relay | Defogger RR Relay | 16. G101 |
| Cooling Fan 3 Relay | Hatch/TRK Relay | 17. Headlamp Opening Door Actuator Control Module |
| Fog LP Relay | Monitored Micro Relay | |
| Fuel Pump Relay | Theft Deterrent Relay | |
| Horn Relay | 7. RH Relay Center | |
| Ignition Relay | 8. Electronic Suspension Control (ESC) Module | |
| RTD Relay | | |

G00074631

Fig. 5: Vehicle Overview